

6

5

4

3

2

1

E

E

D

D

C

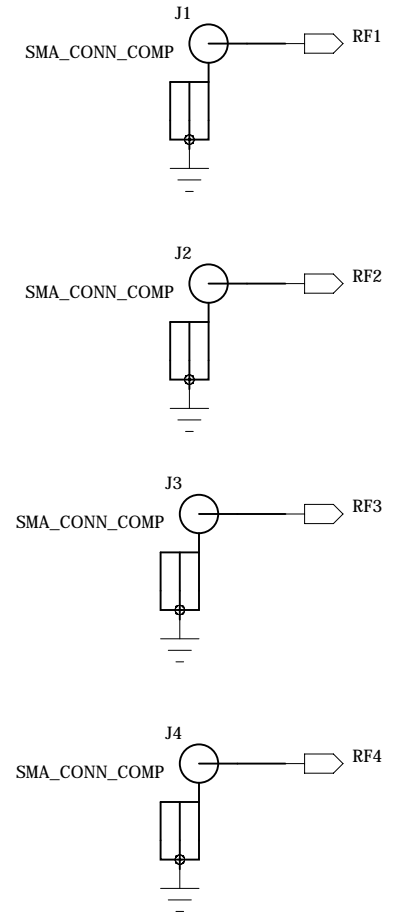
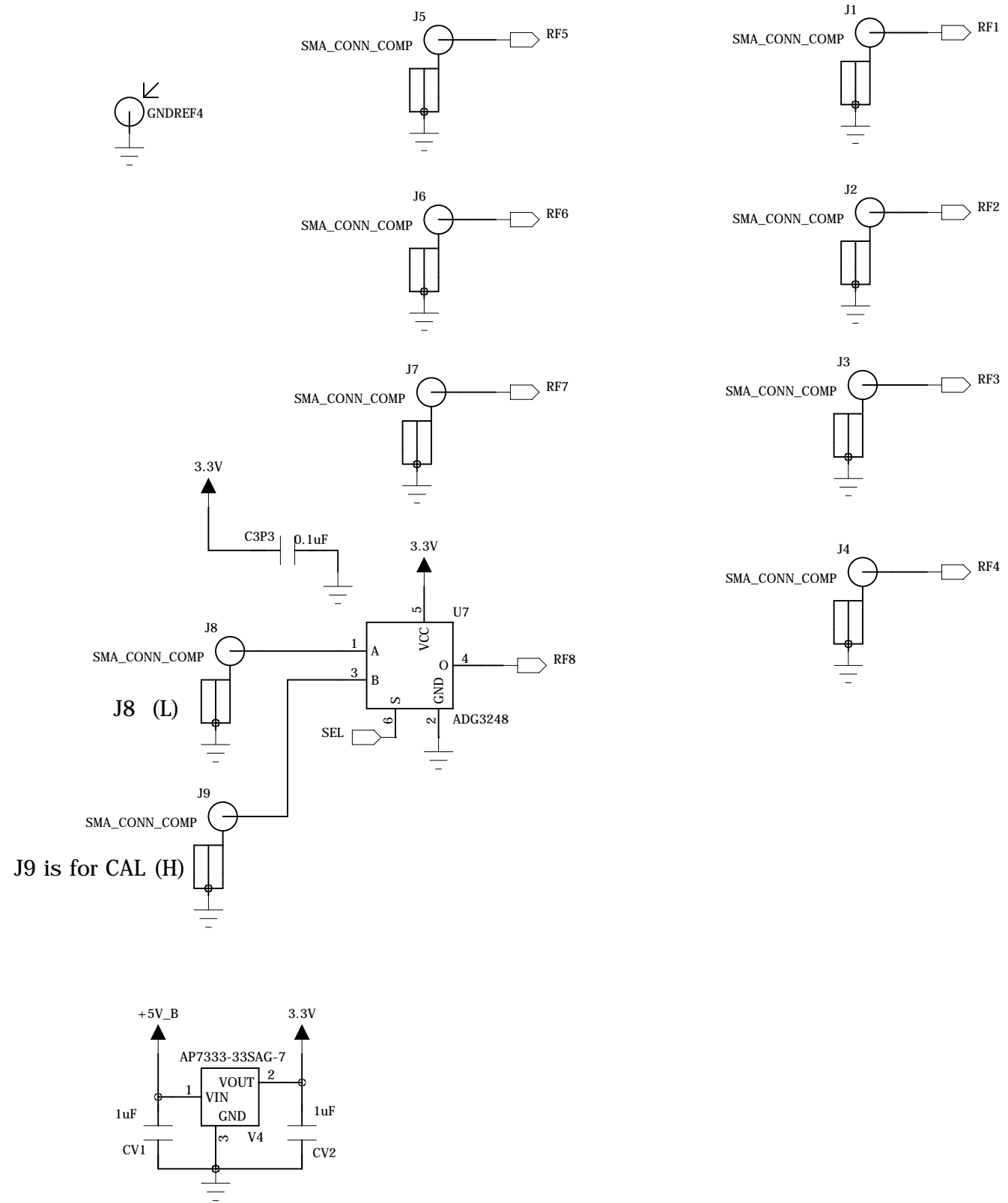
C

B

B

A

A



institution:	University of Hawaii at Manoa Free Electron Laser Lab Instrumentation Development Lab
title:	IRS3B DC for FEL BPM readout
revision:	A
IDLAB design #:	IDL_13_014
circuit design:	PN
PCB design:	PN
sheet #:	1 of 3
sheet description:	IRS3B DC Inputs and CAL
date last modified:	Feb 28, 2012

6

5

4

3

2

1

E

E

D

D

C

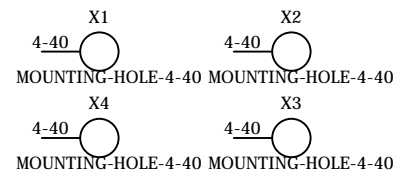
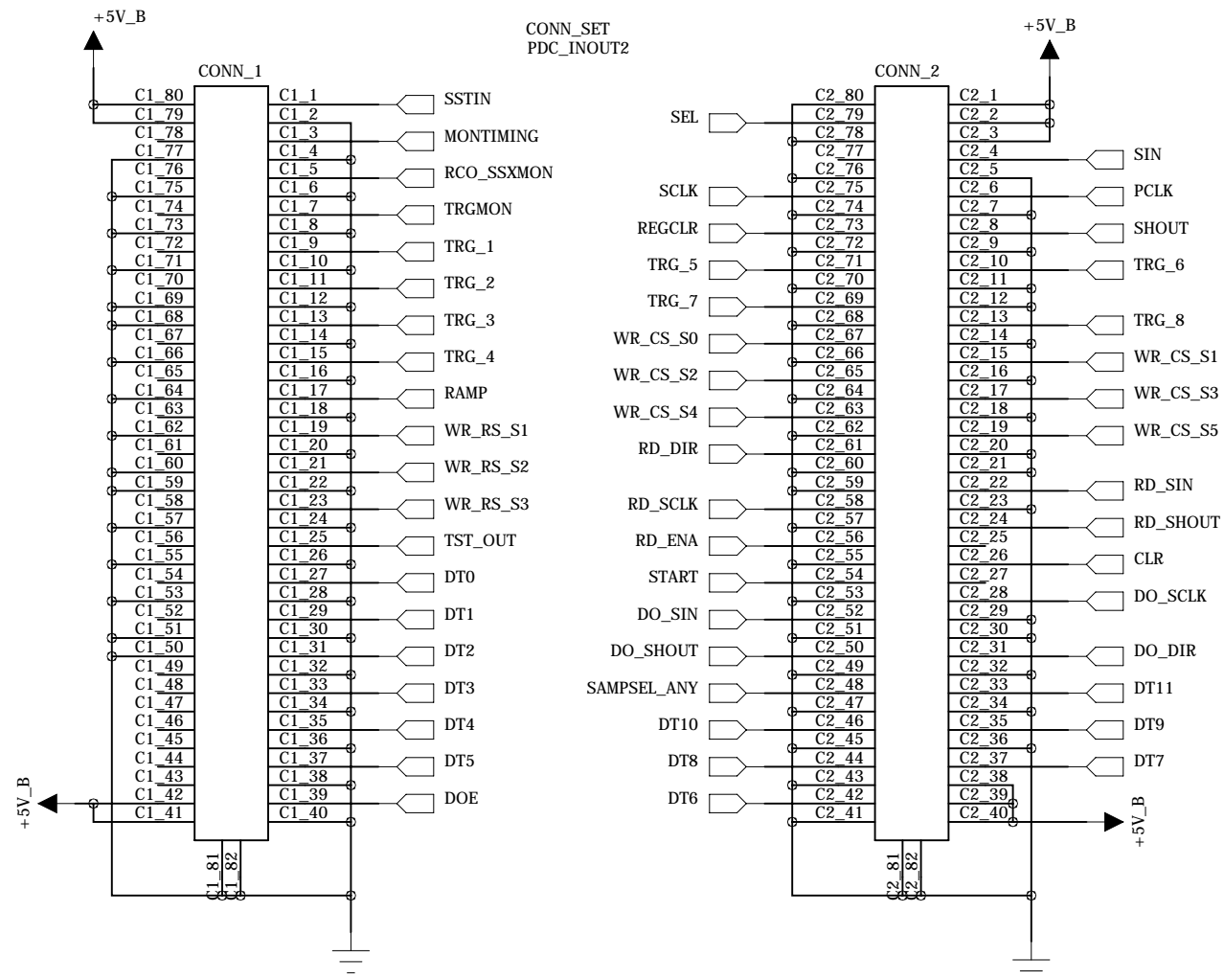
C

B

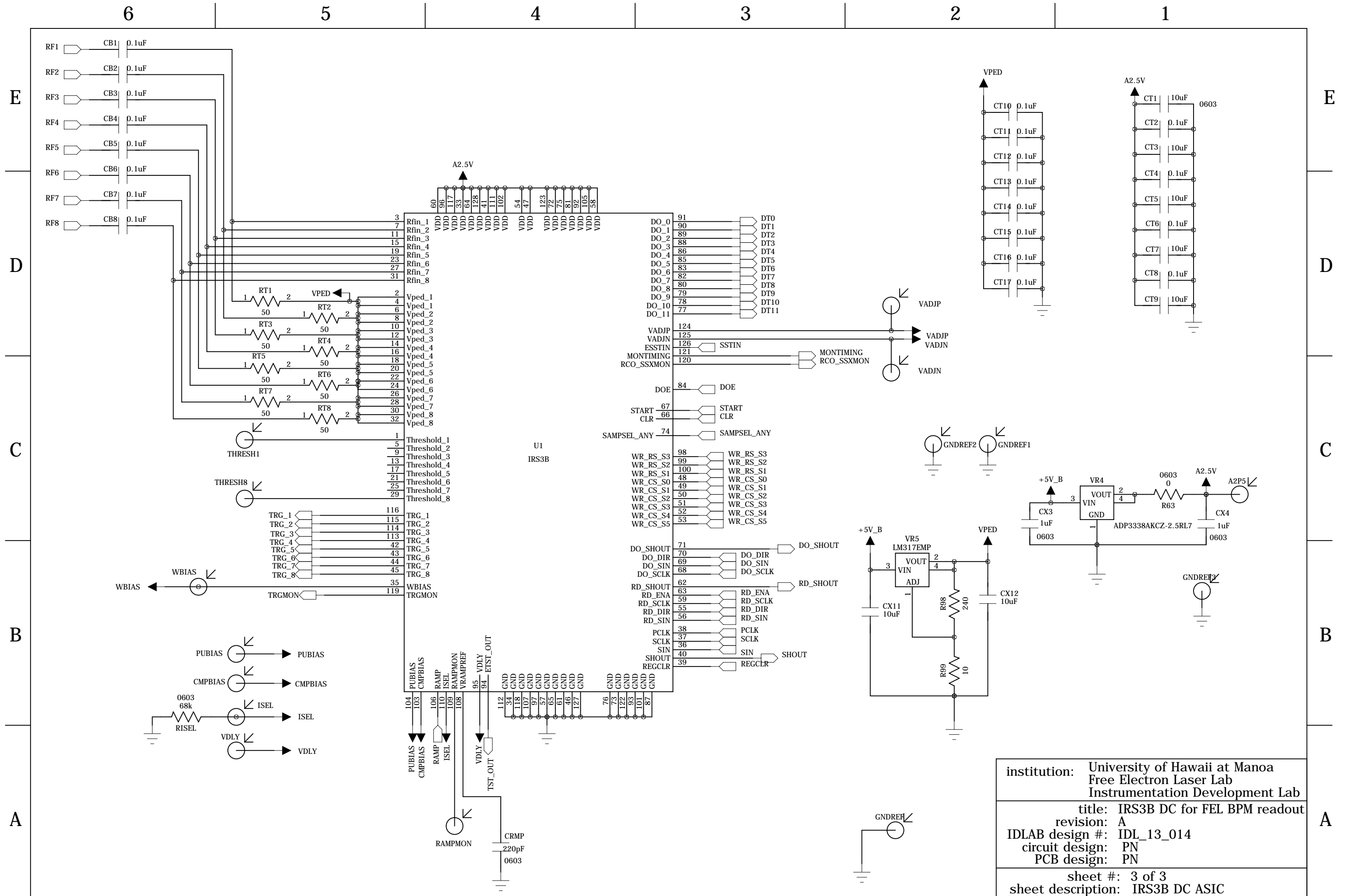
B

A

A



institution:	University of Hawaii at Manoa Free Electron Laser Lab Instrumentation Development Lab
title:	IRS3B DC for FEL BPM readout
revision:	A
IDLAB design #:	IDL_13_014
circuit design:	PN
PCB design:	PN
sheet #:	2 of 3
sheet description:	IRS3B DC input/output
date last modified:	Feb 28, 2012



institution:	University of Hawaii at Manoa Free Electron Laser Lab Instrumentation Development Lab
title:	IRS3B DC for FEL BPM readout
revision:	A
IDLAB design #:	IDL_13_014
circuit design:	PN
PCB design:	PN
sheet #:	3 of 3
sheet description:	IRS3B DC ASIC
date last modified:	Feb 28, 2012