



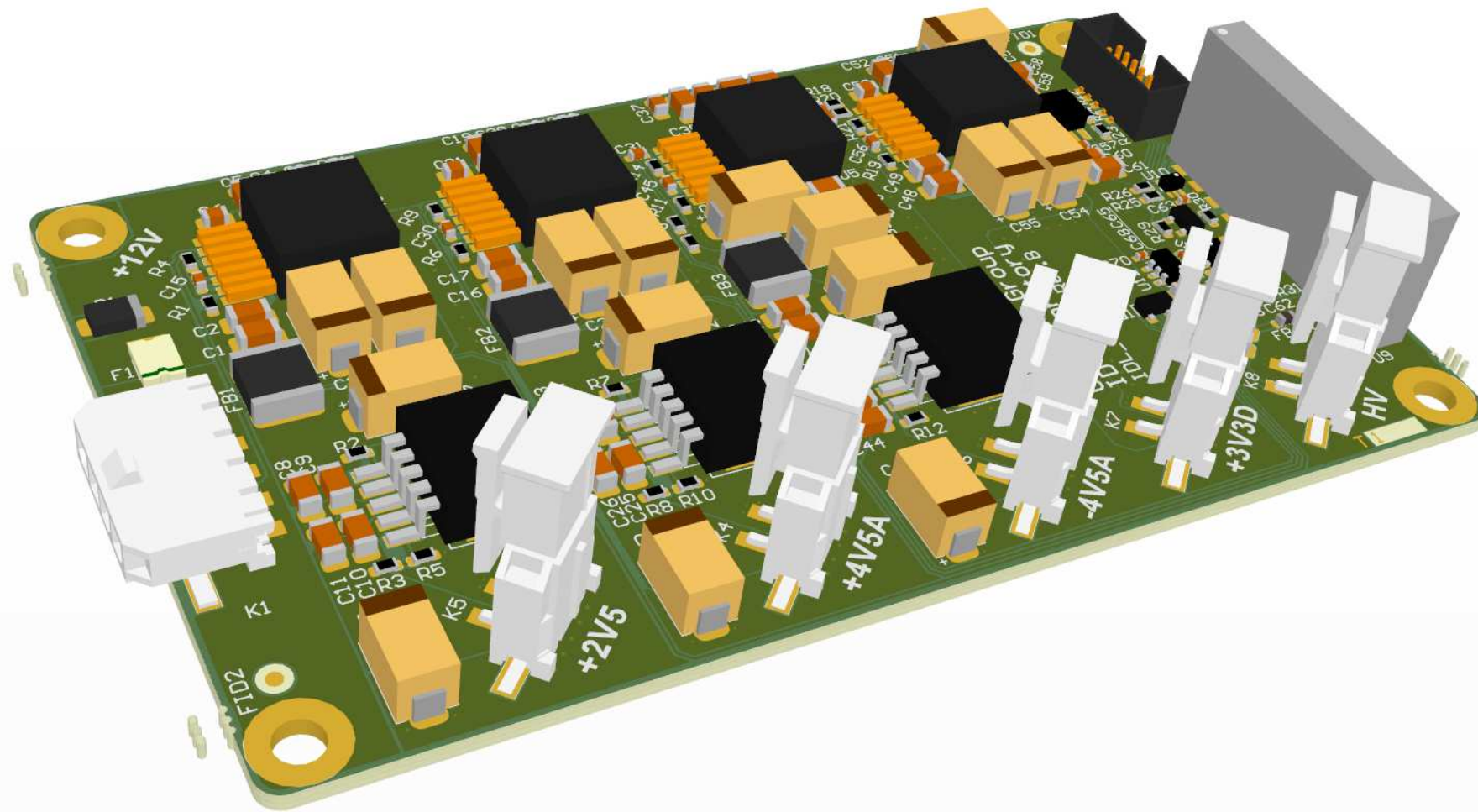
UNIVERSITY
of HAWAII®
MĀNOA

High Energy Physics Group
Instrumentation Development Laboratory
2505 Correa Road, Honolulu, HI 96822

Production Documentation for:

Project Name: Compact SciFi Tracker
Board Name: CSciFi Power Supply
IDL num: IDL_15_30
Revision: B
Variant: [No Variations]

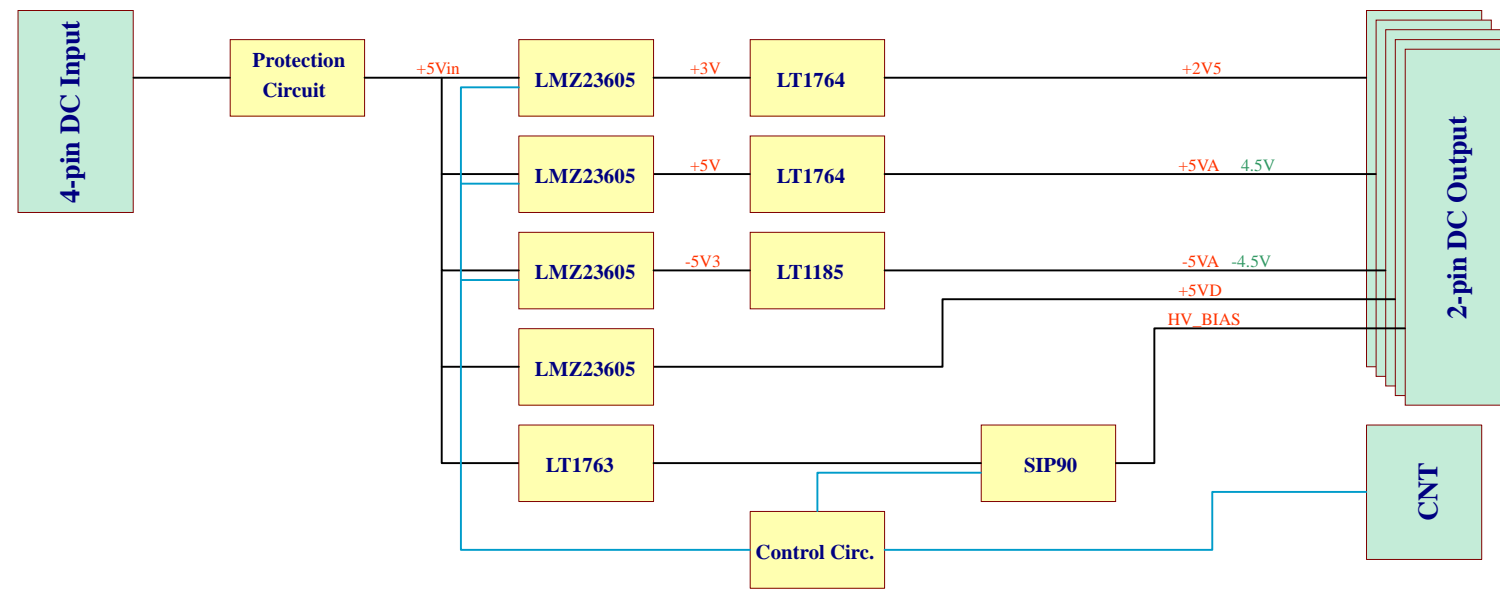
Designer: Peter Orel
Drawn by: Peter Orel
Approved by: Gary S. Varner



High Energy Physics Group, Instrumentation Development Lab	Designer: Peter Orel	IDLAB design #: IDL_15_30
Project name: Compact SciFi Tracker	Drawn By: Peter Orel	Revision: B
Board name: CSciFi Power Supply	Approved By: Gary S. Varner	Variant: [No Variations]
	Modif. Date: 20. avg 2015	
	Sheet 1 of 3	

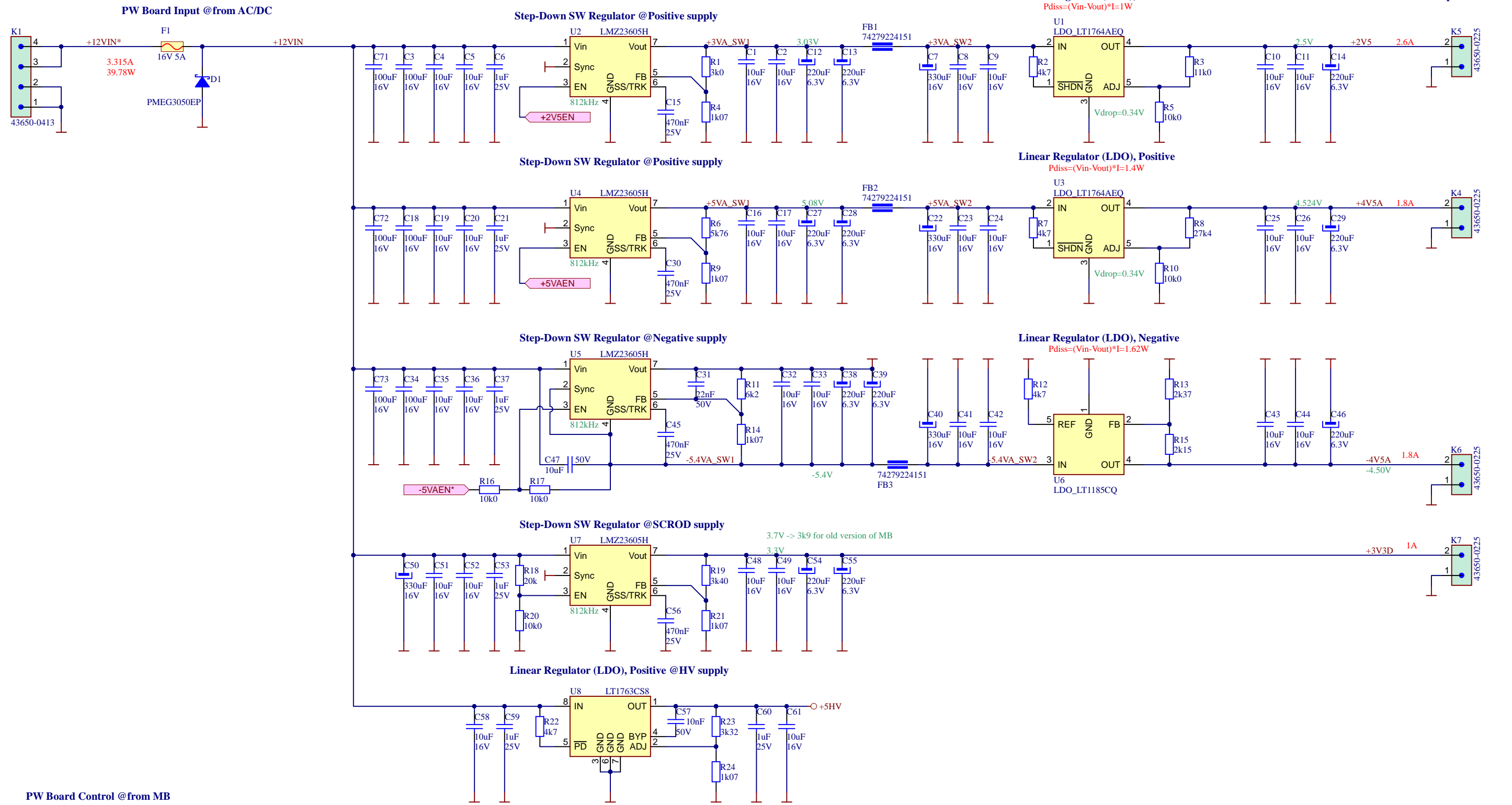


UNIVERSITY
of HAWAII®
MĀNOA

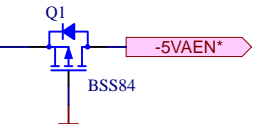
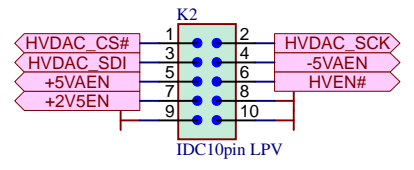


High Energy Physics Group, Instrumentation Development Lab	Designer: Peter Orel	IDLAB design #: IDL_15_30
Board: CSciFi Power Supply	Drawn By: Peter Orel	Revision: B
Sheet Title: Functional Block Schematic	Approved By: Gary S. Varner	Variant: [No Variations]
	Modif. Date: 17. avg 2015	Sheet 2 of 3





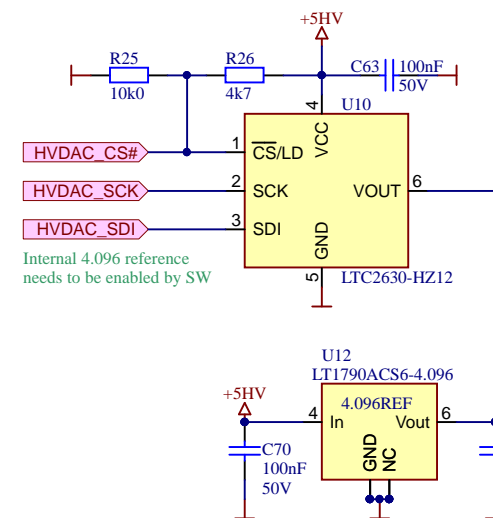
PW Board Control @from MB



Mechanical



DAC for High Voltage Source Setting



Programmable High Voltage Source

