

6

5

4

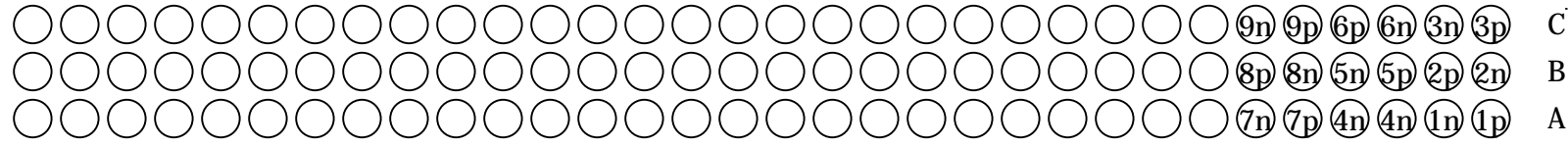
3

2

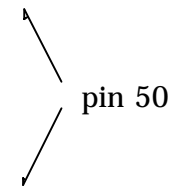
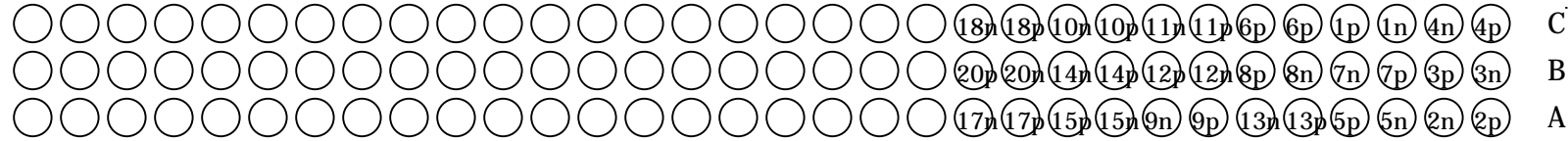
1

REVISION RECORD			
LTR	ECO NO:	APPROVED:	DATE:

Channel Numbering From SciFi Trackers MotherBoards Rev C Schamatic (Top Layers)



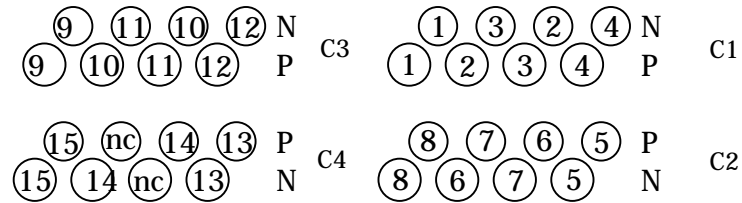
MPPC's Channel Numbering (Top Layers)



Changes Made on Rev B

- Corrected Pin out on 6x2 and 4x2 RJ-45 connectors to RJ-45 routing standard
- Corrected pin pairs on schamatic to correctly bias MPPC
- Added screw terminal near RJ-45 Connectors

MPPC Chan # With corrsponding RJ45 footprint



COMPANY: Instrument Devolpement Lab (IDLAB)

TITLE: MPPC X PLANE INTERFACE

DRAWN: KPL,JDC	DATED: 7/26/15
CHECKED: gv,mza,ck	DATED: 7/29/15
QUALITY CONTROL: <QC By>	DATED: <QC Date>
RELEASED: <Released By>	DATED: <Release Date>

CODE: <Code>	SIZE: B	DRAWING NO: <Drawing Number>	REV: B
SCALE: <Scale>			SHEET: 1 of 3

D

D

C

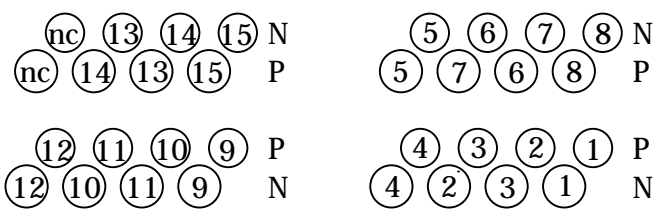
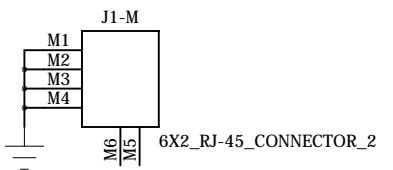
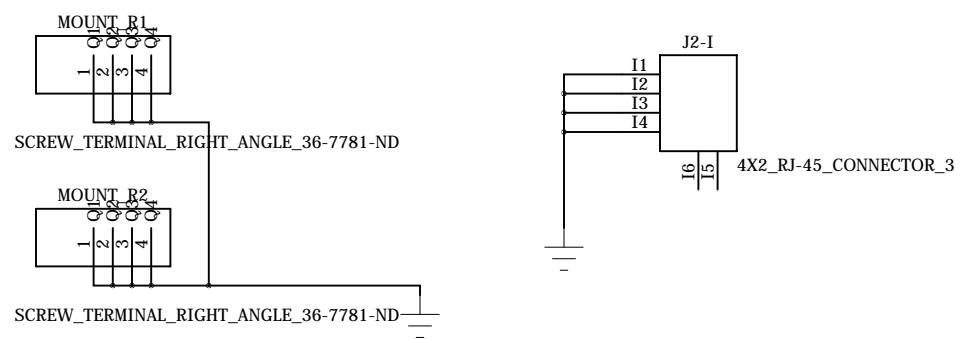
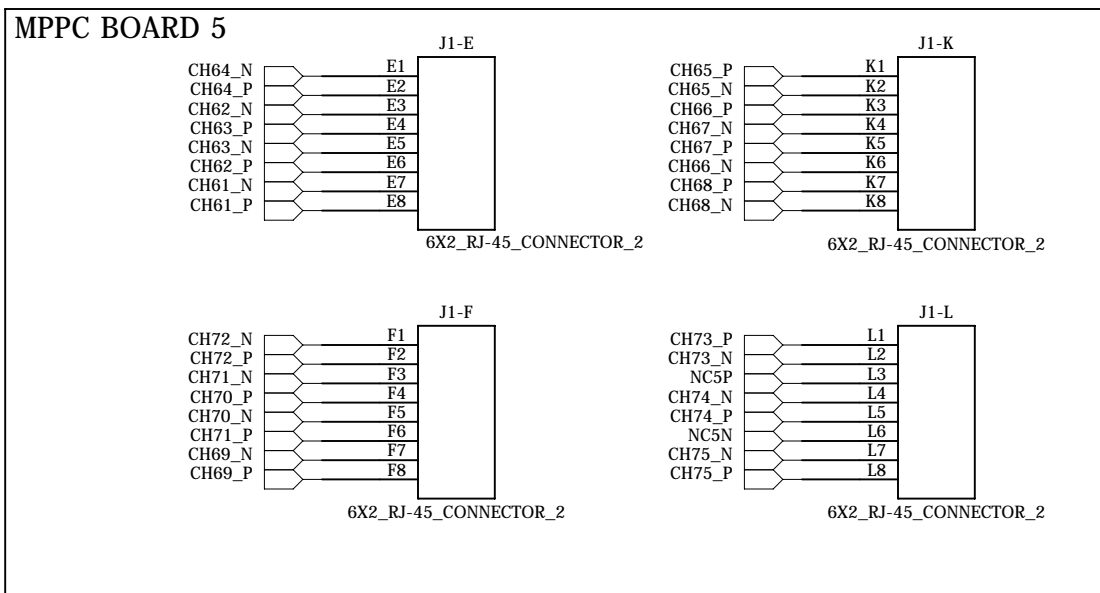
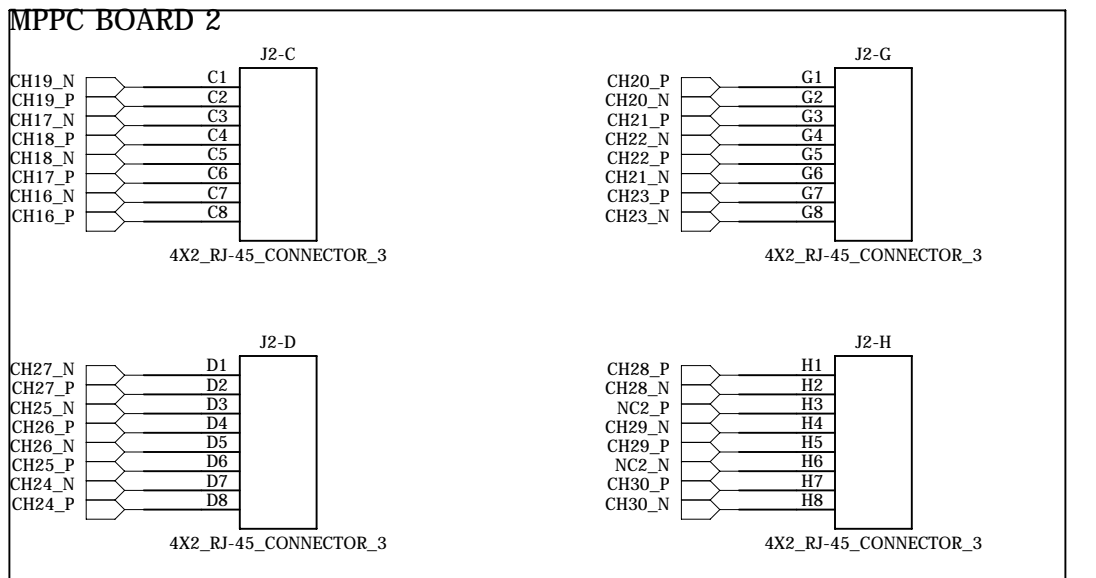
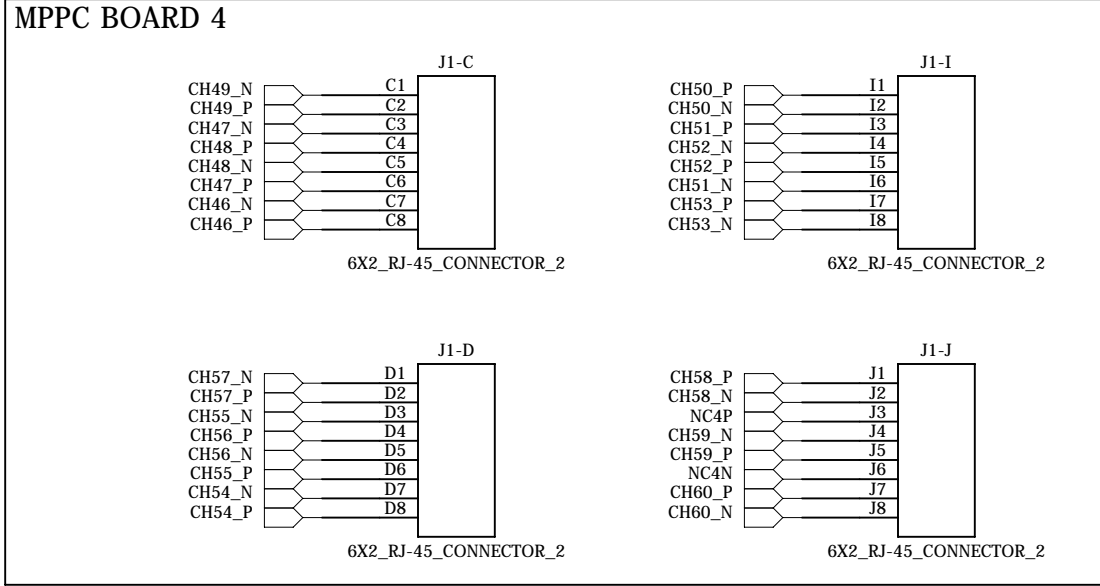
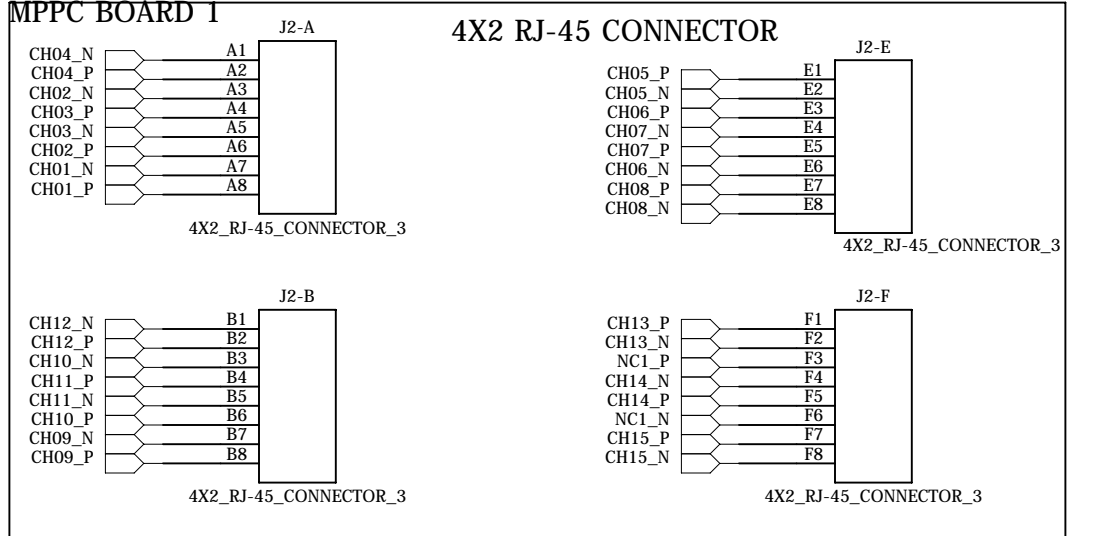
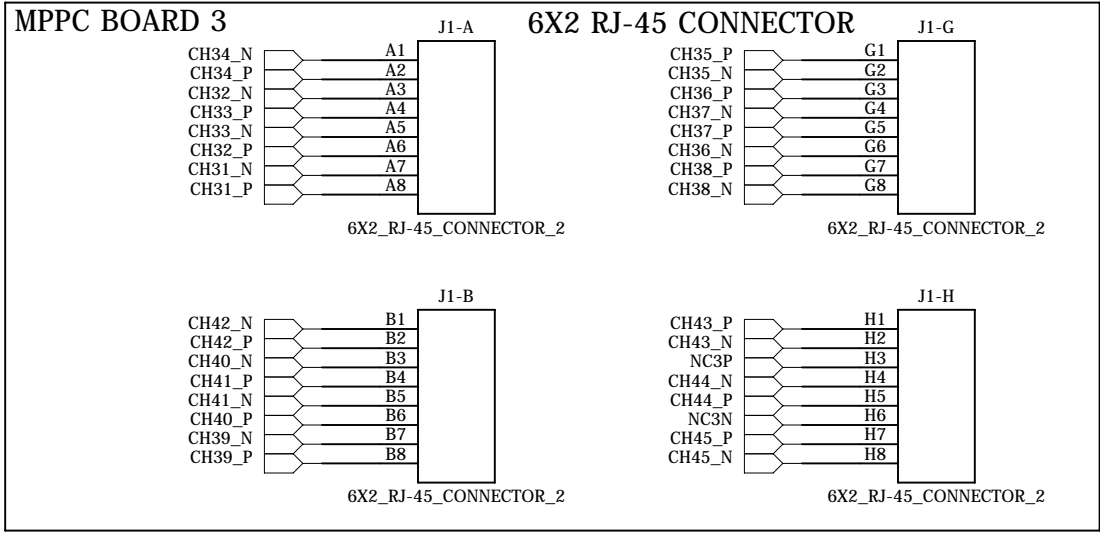
C

B

B

A

A



institution:	Universeity of Hawaii at Manoa High energy physics Lab Instrumentation Development Lab
title:	MPPC X PLANE INTERFACE
revision:	B
IDLAB design #:	IDL_015_020
circuit design:	KPL, Julien C
PCB design:	KPL, Julien C
sheet #:	1
sheet description:	RJ-45 CONNECTORS
date last modified:	7/31/2015

6

5

4

3

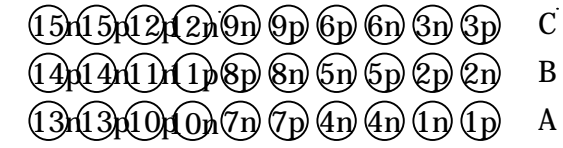
2

1

E

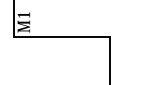
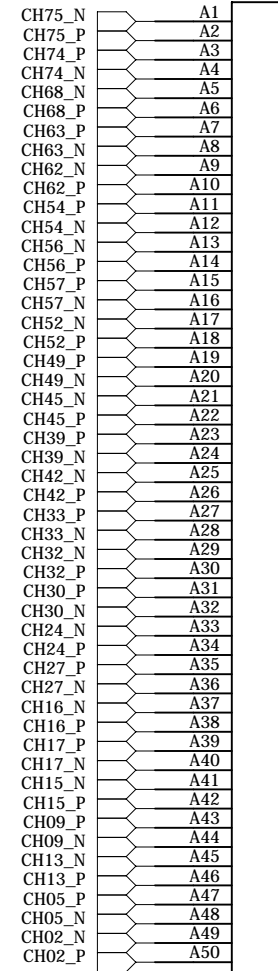
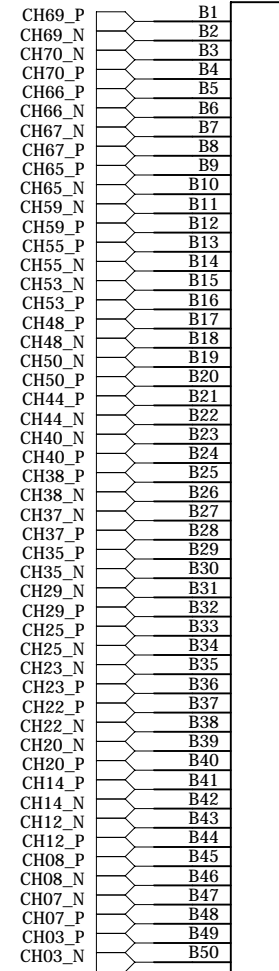
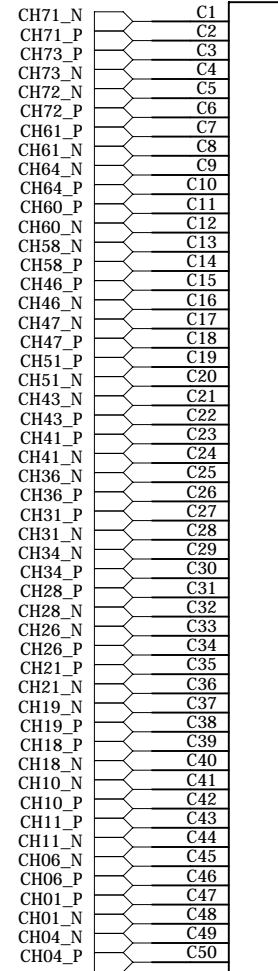
E

Y-PLANE



D

D



EUROCARD-150-VERT-FEMALESOCKET J3

C

C

B

B

A

A

institution:	Universeity of Hawaii at Manoa High energy physics Lab Instrumentation Development Lab
title:	MPPC X PLANE INTERFACE
revision:	B
IDLAB design #:	IDL_015_020
circuit design:	KPL, Julien C
PCB design:	KPL, Julien C
sheet #:	2 OF 2
sheet description:	150 PIN EURO CONNECTOR
date last modified:	7/31/2015