

6

5

4

3

2

1

D

D

C

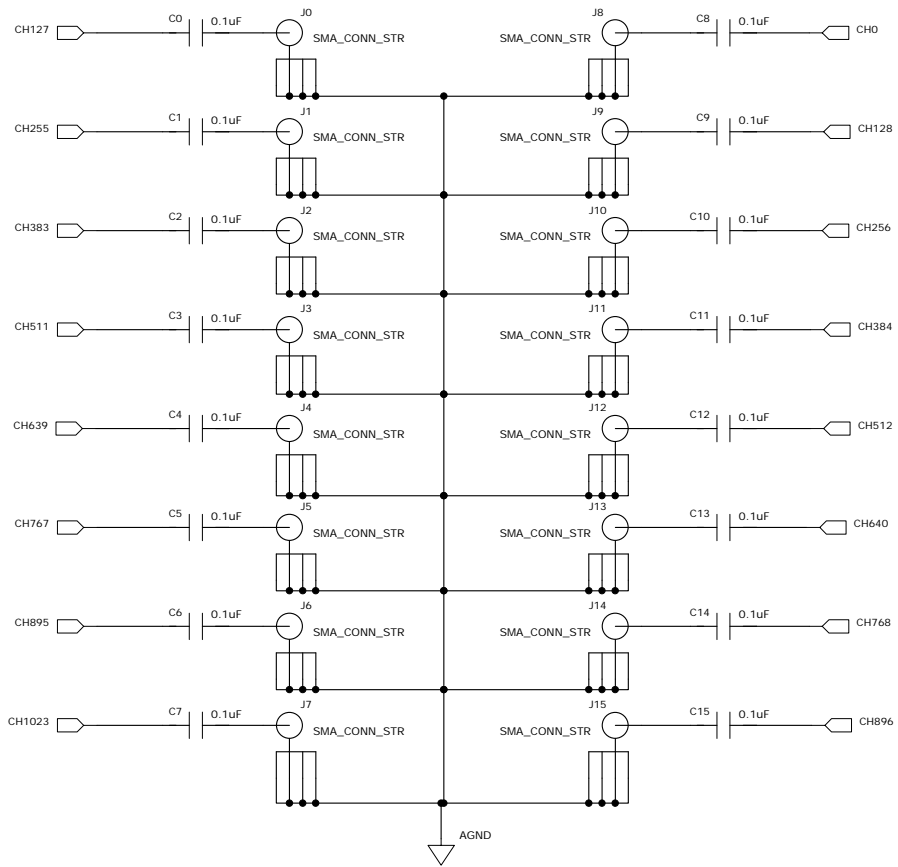
C

B

B

A

A



Univ. of Hawai'i -- Instr. Dev. Lab. TITLE: Test Linear Array Micro-Carrier And Connector (TLAMAC)			
	Design: JWK LLR	Page Description: SMA Simulation of the Linear Array	REV: A
DATED: 11-JAN-08		TLAMAC	
SHEET: 1 OF 5			

6

5

4

3

2

1

D

D

C

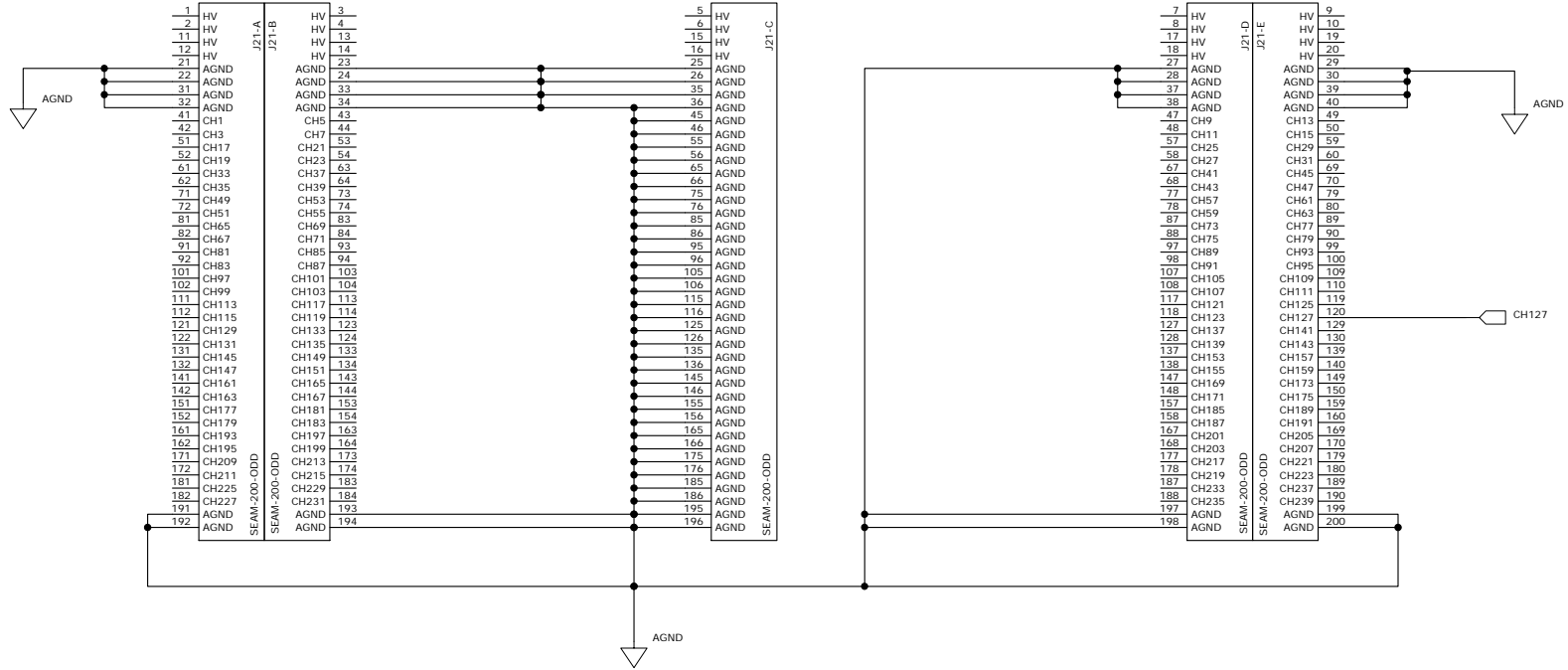
C

B

B

A

A



Univ. of Hawai'i -- Instr. Dev. Lab. TITLE: Test Linear Array Micro-Carrier And Connector (TLAMAC)			
	Design: JWK LLR	Page Description: 1st Samtec SEAM 200 Pin connector	REV: A
DATED: 03-JAN-08		TLAMAC	SHEET: 2 OF 5

6

5

4

3

2

1

D

D

C

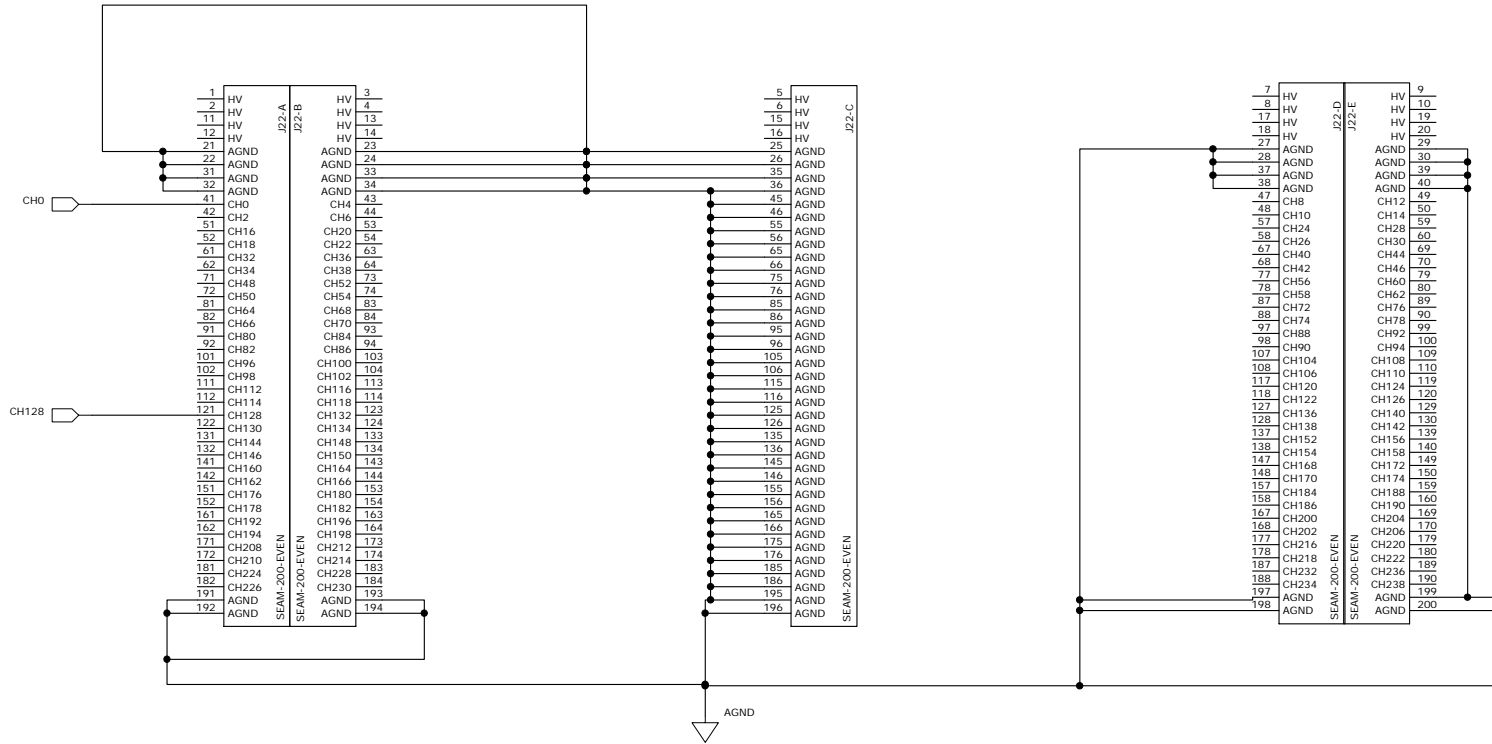
C

B

B

A

A



Univ. of Hawai'i -- Instr. Dev. Lab.			
TITLE: Test Linear Array Micro-Carrier And Connector (TLAMAC)			
Design:	Page Description:		REV:
JWK	2nd Samtec SEAM 200		A
LLR	Pin connector		
DATED: 03-JAN-08	TLAMAC	SHEET: 3 OF 5	

6

5

4

3

2

1

D

D

C

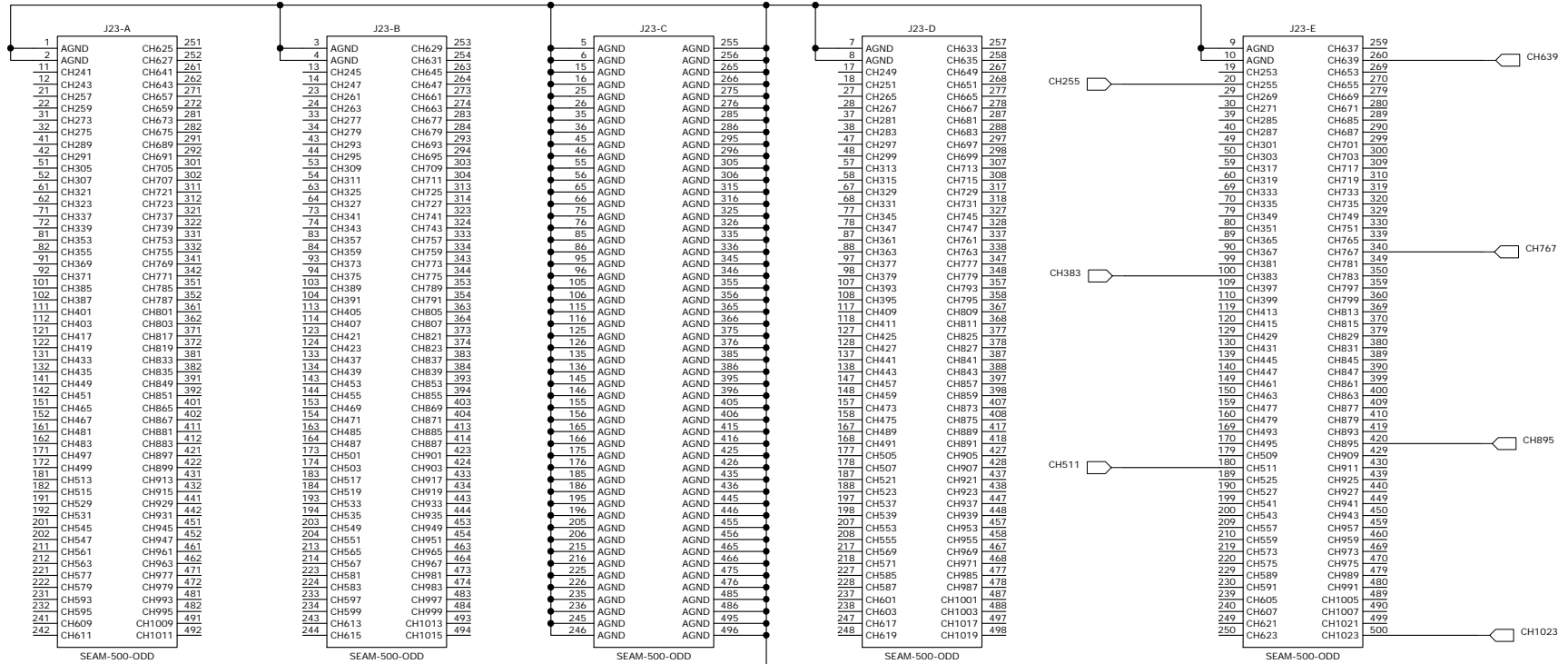
C

B

B

A

A



<p>Univ. of Hawai'i -- Instr. Dev. Lab.</p> <p>TITLE: Test Linear Array Micro-Carrier And Connector (TLAMAC)</p>			
Design:	Page Description:		REV:
JWK	1st Samtec SEAM 500		A
LLR	Pin connector		
DATED: 03-JAN-08	TLAMAC	SHEET: 4 OF 5	

6

5

4

3

2

1

D

D

C

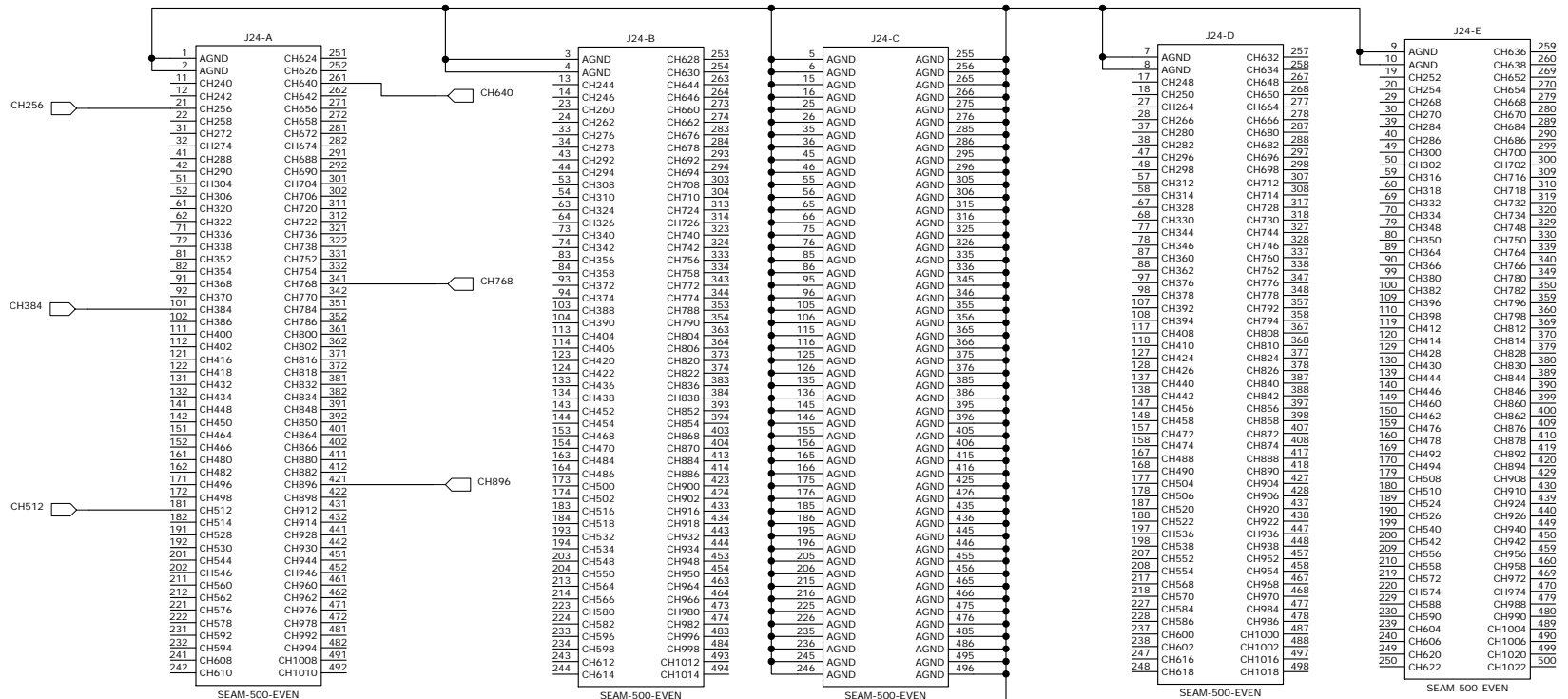
C

B

B

A

A



Univ. of Hawai'i -- Instr. Dev. Lab.

TITLE: Test Linear Array Micro-Carrier And Connector (TLAMAC)

Design:	Page Description:	REV:
JWK	2nd Samtec SEAM 500	A
LLR	Pin connector	