

6

5

4

3

2

1

D

D

C

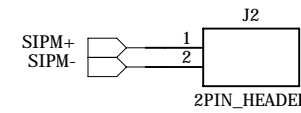
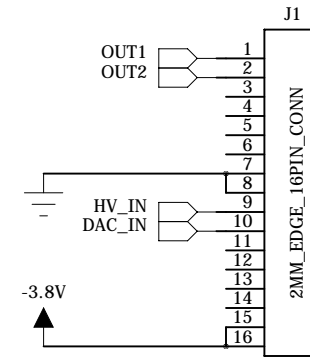
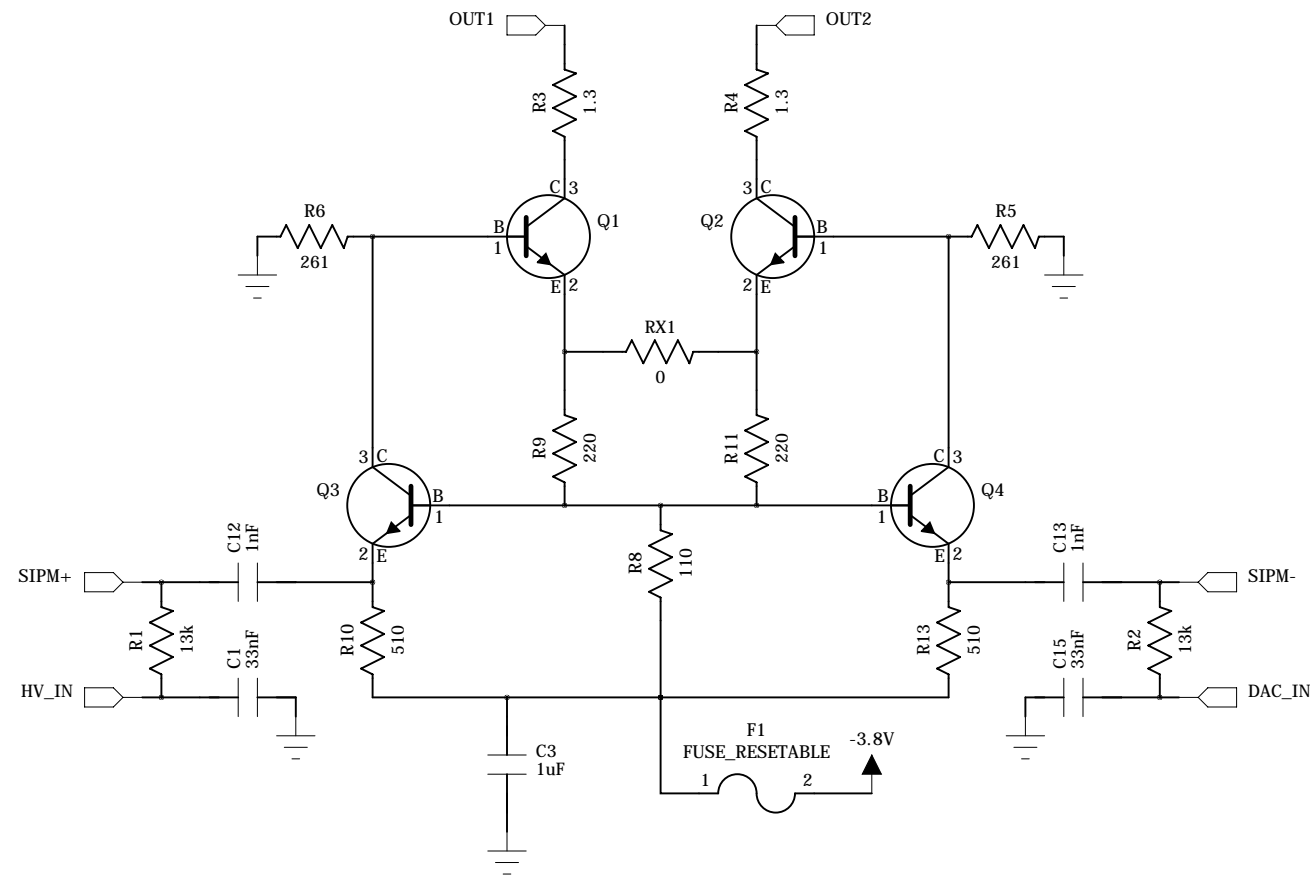
C

B

B

A

A



Univ. of Hawai'i -- Instr. Dev. Lab.

TITLE: KLM_Preamplifier



Design:

Page Description:

REV:

Amp

A

DATED: 03-August-2010

SHEET: 1 of 1