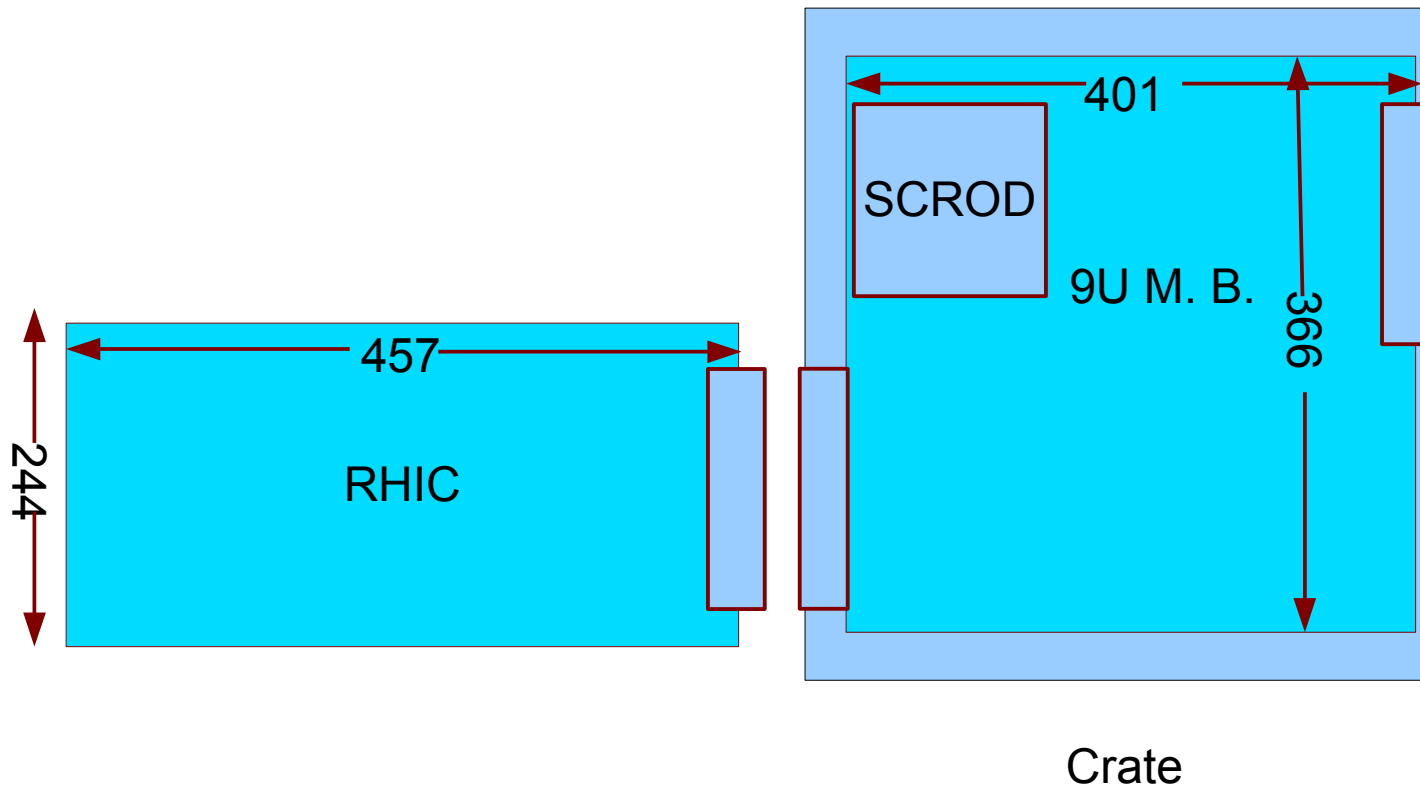


KLM Boards Space Diagram

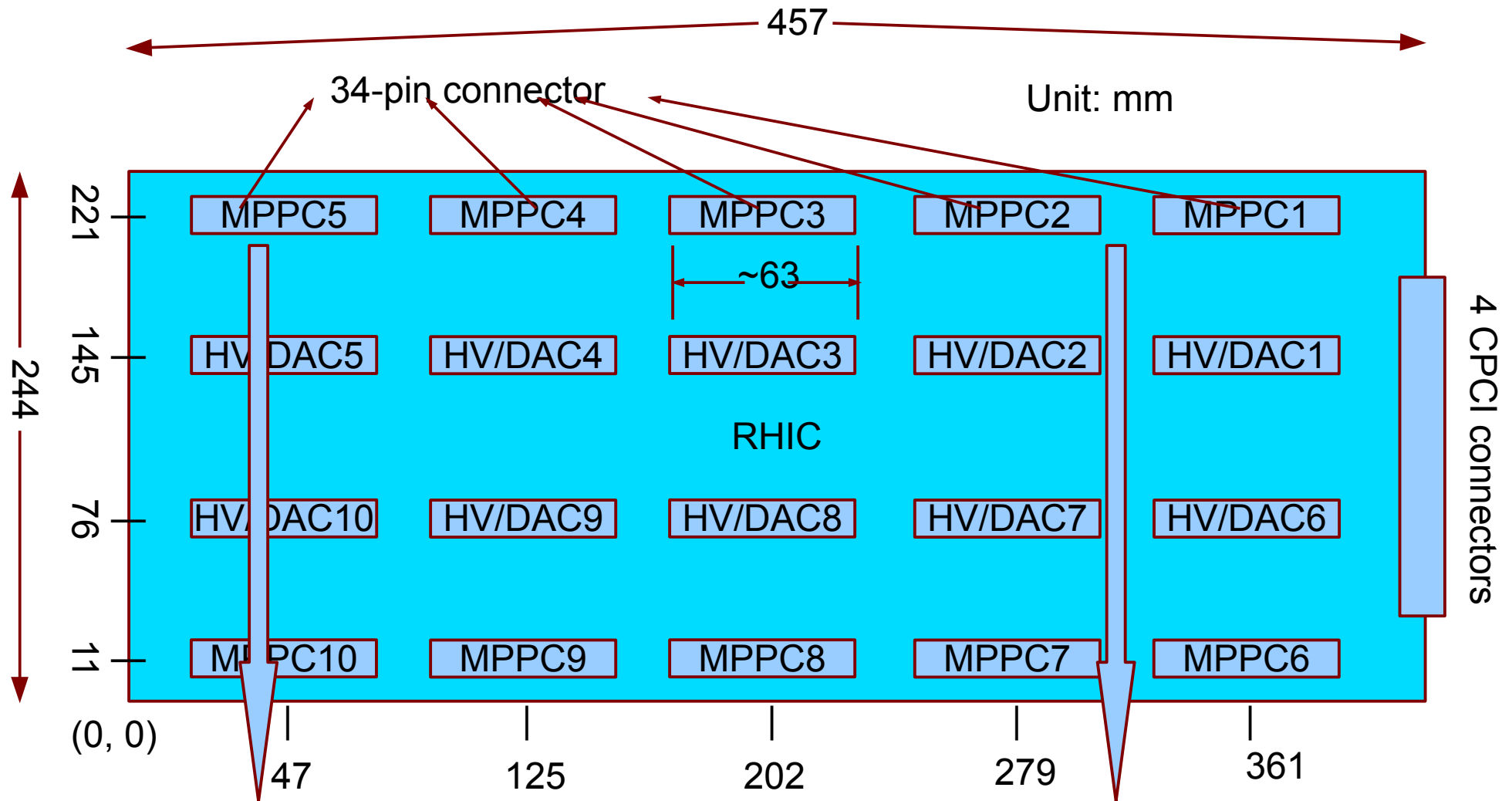
Side view

Unit: mm

8/13/2013



Connectors and cables on the RHIC



All cables are coming down

Front view

Thickness:
PCB+CONN~1cm
Stack of 4 ribbon cables ~6mm

