

E

E

D

D

C

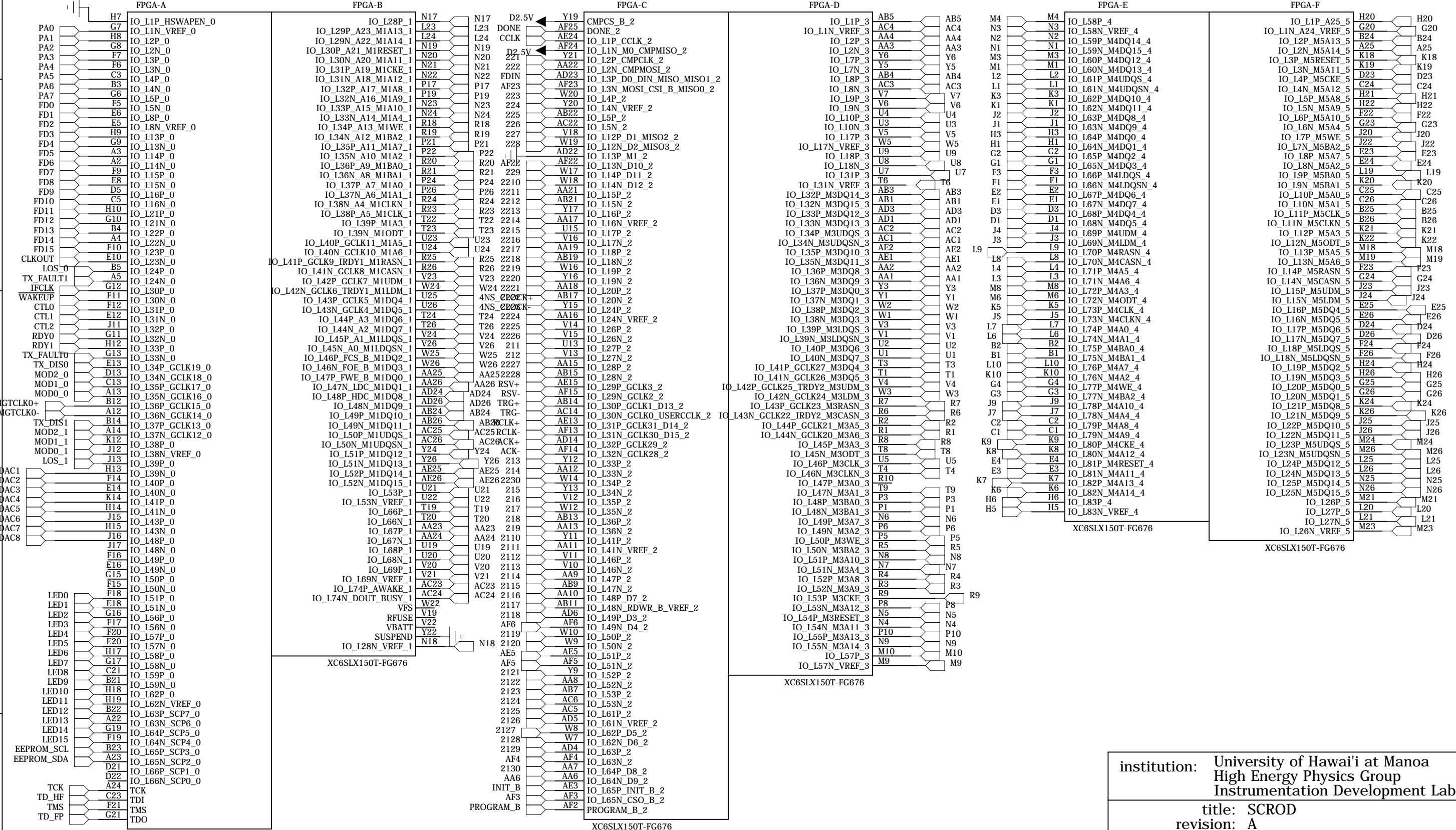
C

B

B

A

A



institution: University of Hawai'i at Manoa
 High Energy Physics Group
 Instrumentation Development Lab

title: SCROD
 revision: A
 IDLAB design #: IDL_10_007
 circuit design: LJR, MZA, GSV, KAN
 PCB design: LJR, MZA

sheet #:
 sheet description: FPGA banks 0-5
 date last modified: 2010-12-29

6

5

4

3

2

1

E

E

D

D

C

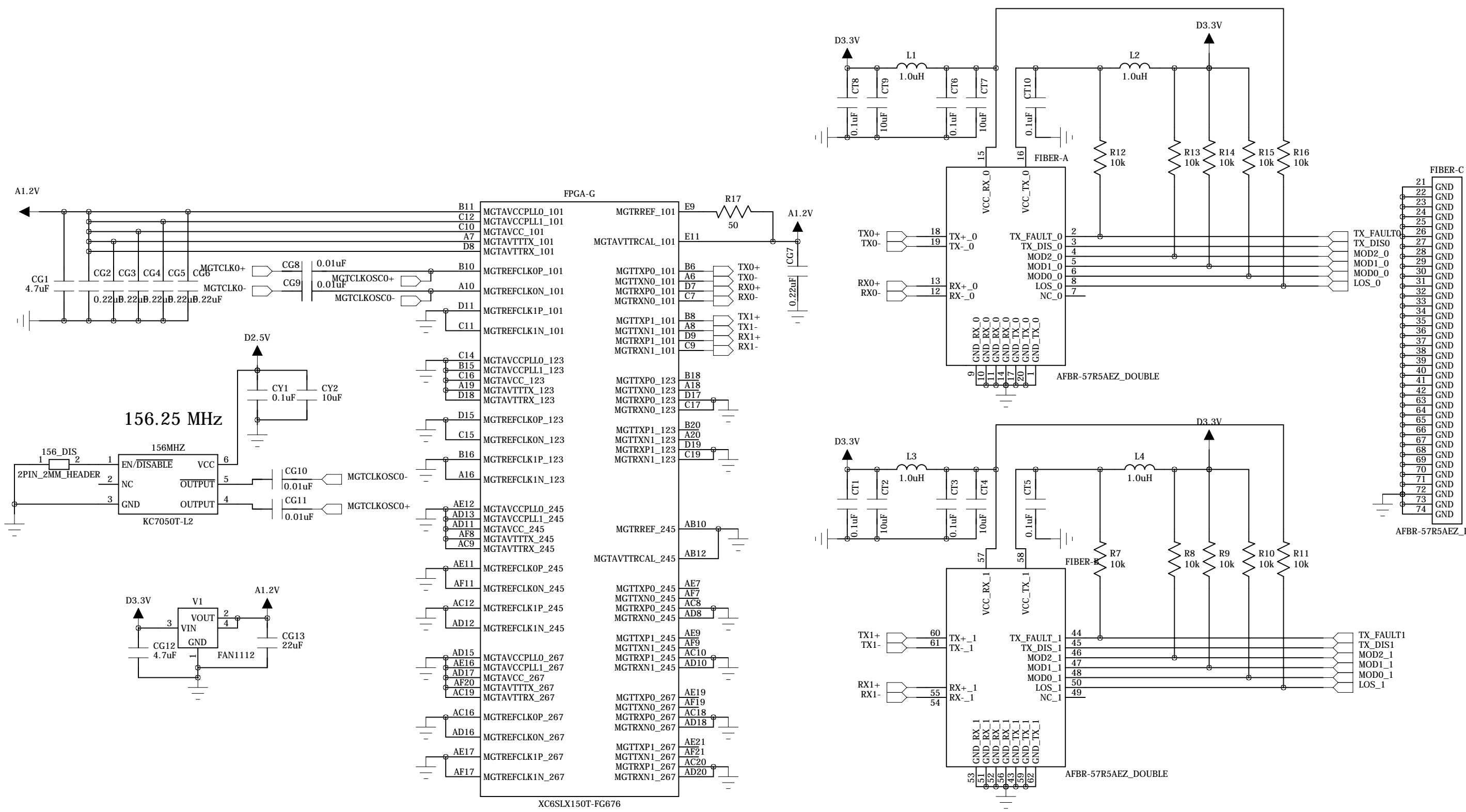
C

B

B

A

A



institution: University of Hawai'i at Manoa
 High Energy Physics Group
 Instrumentation Development Lab

title: SCROD
 revision: A
 IDLAB design #: IDL_10_007
 circuit design: LJR, MZA, GSV, KAN
 PCB design: LJR, MZA

sheet #:
 sheet description: fiber transceiver, fiber clock
 date last modified: 2010-12-29

6

5

4

3

2

1

E

E

D

D

C

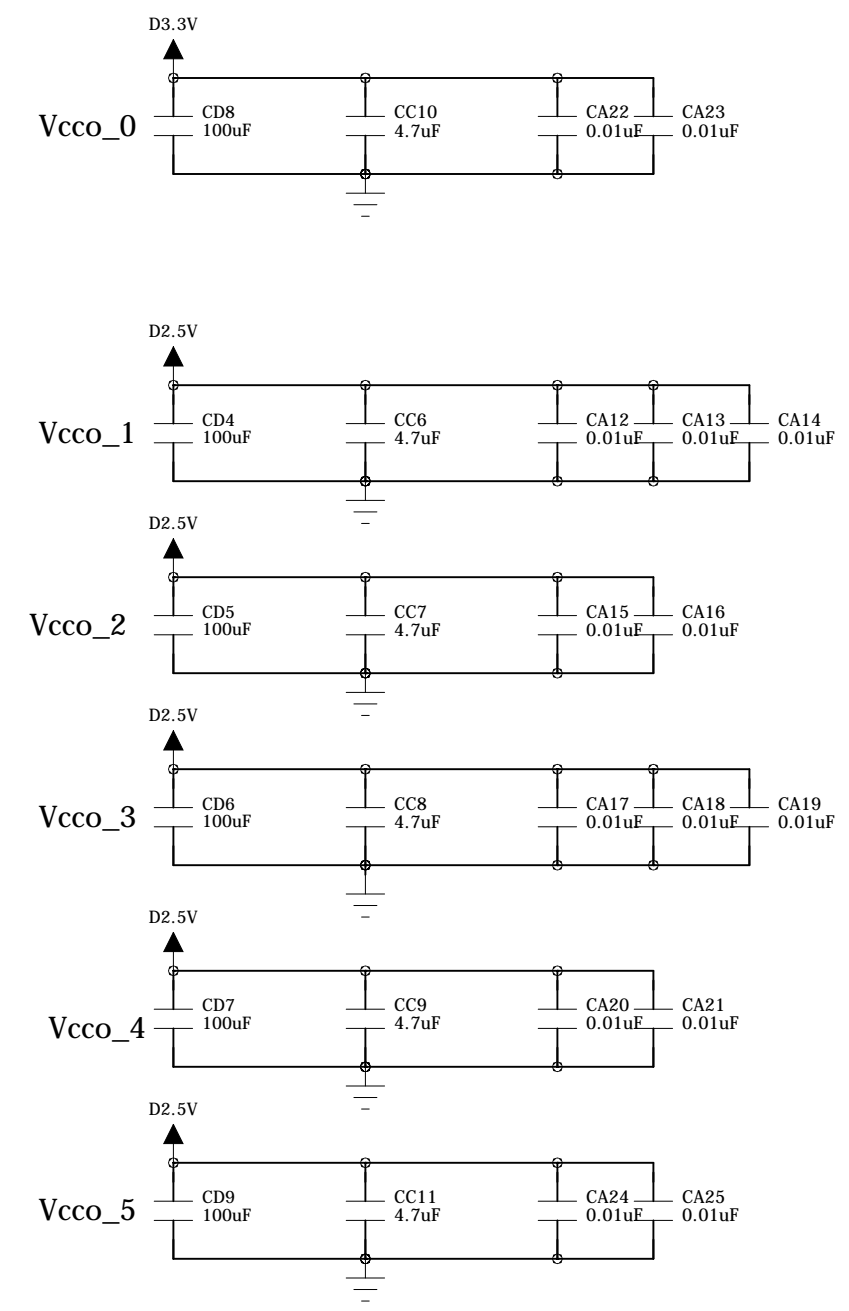
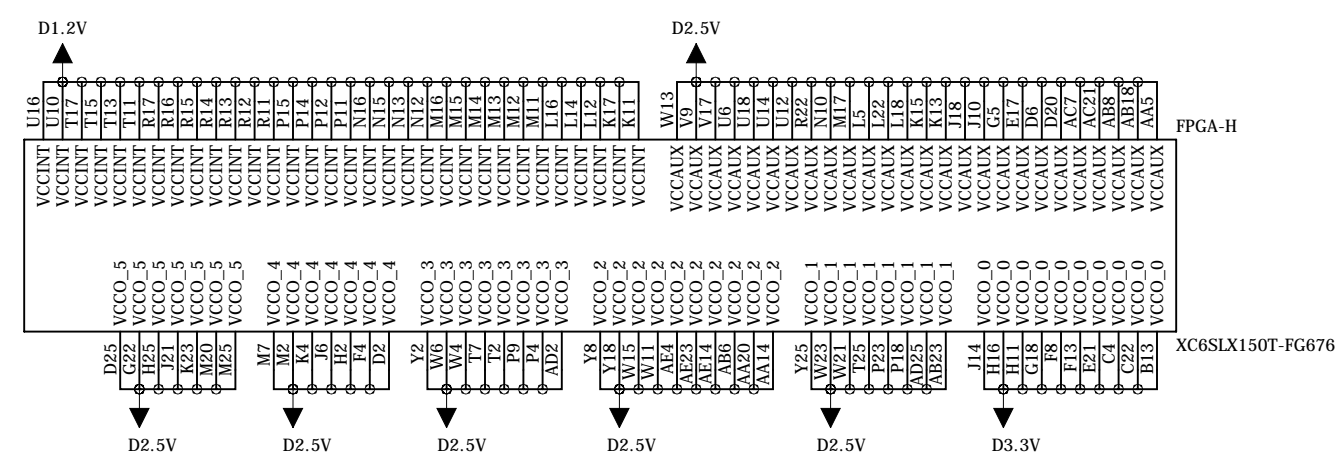
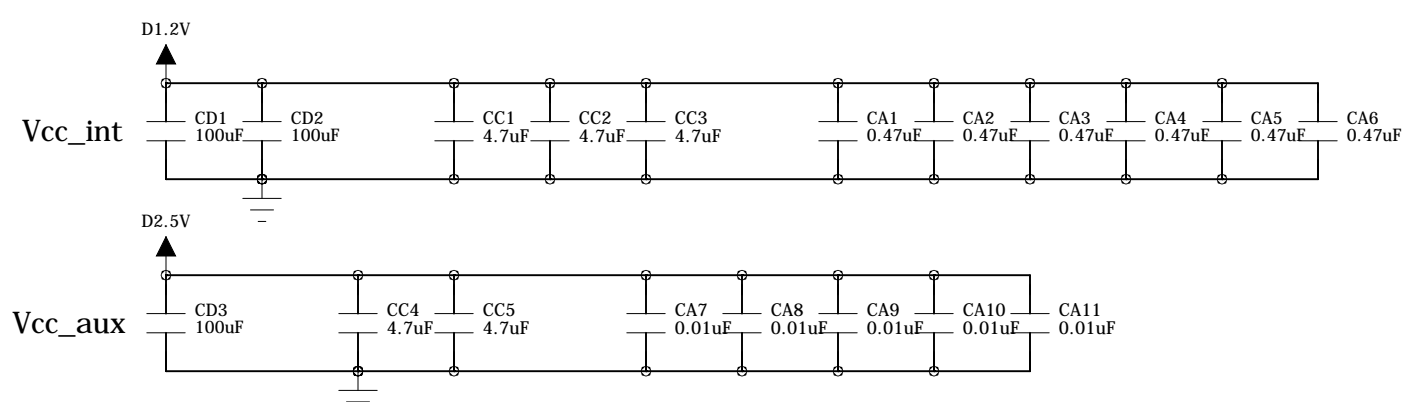
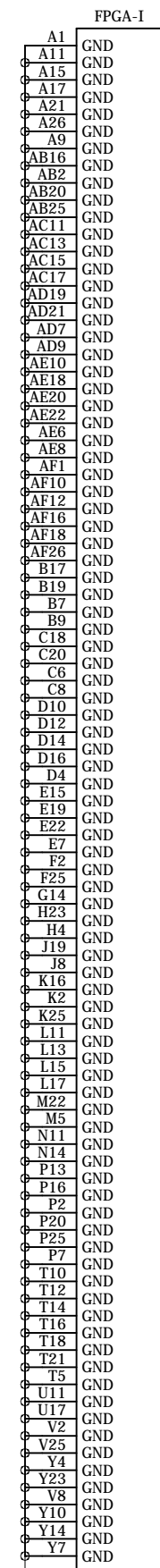
C

B

B

A

A



institution:	University of Hawai'i at Manoa High Energy Physics Group Instrumentation Development Lab
title:	SCROD
revision:	A
IDLAB design #:	IDL_10_007
circuit design:	LJR, MZA, GSV, KAN
PCB design:	LJR, MZA
sheet #:	
sheet description:	FPGA power, FPGA caps
date last modified:	2010-12-29

XC6SLX150T-FG676

E

E

D

D

C

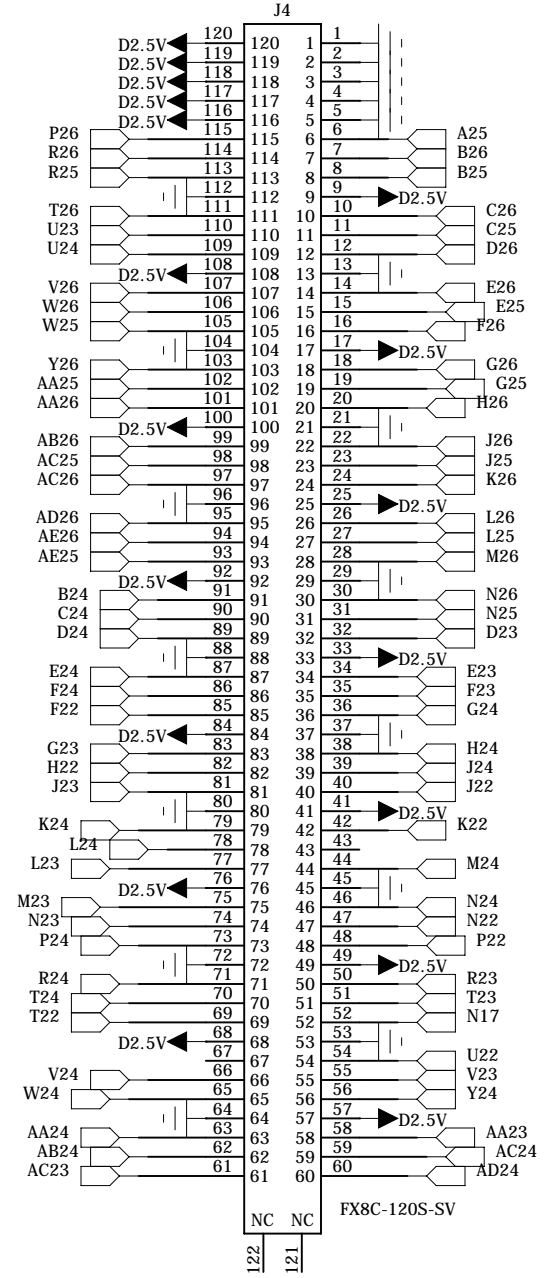
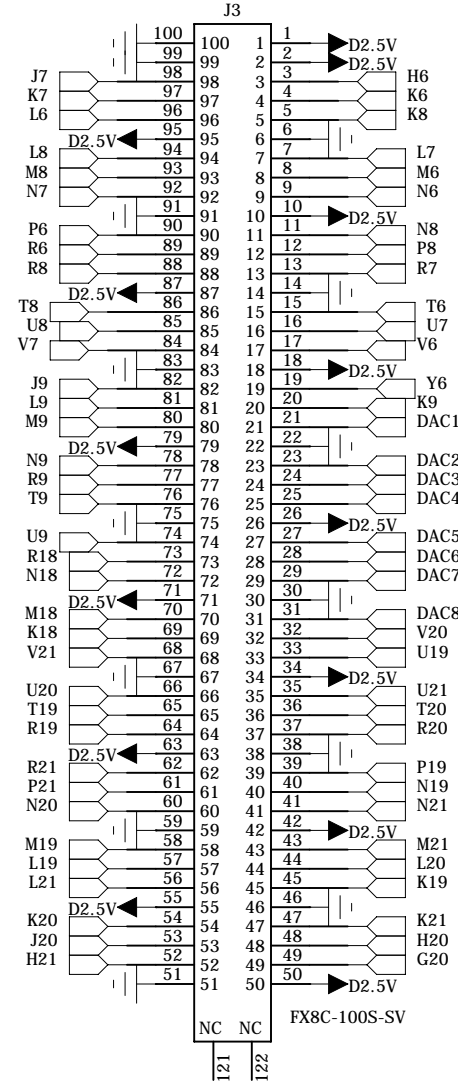
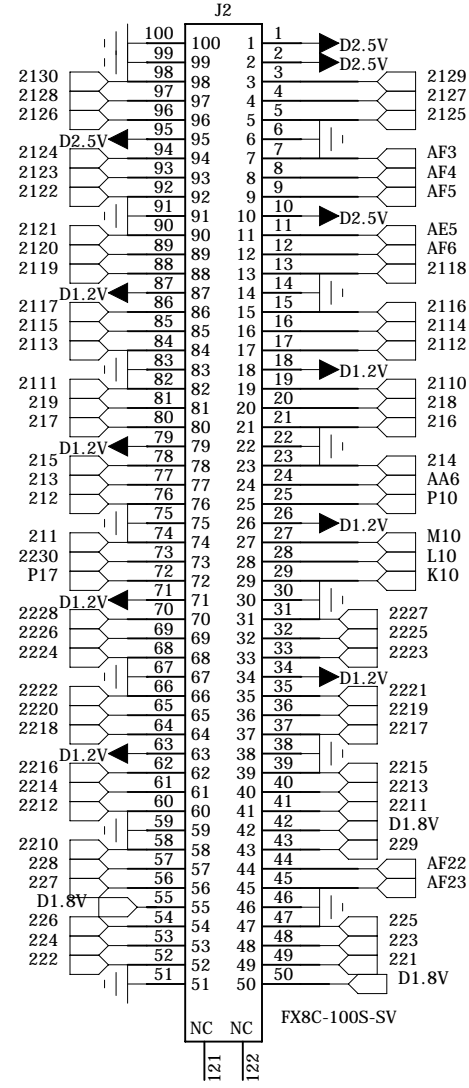
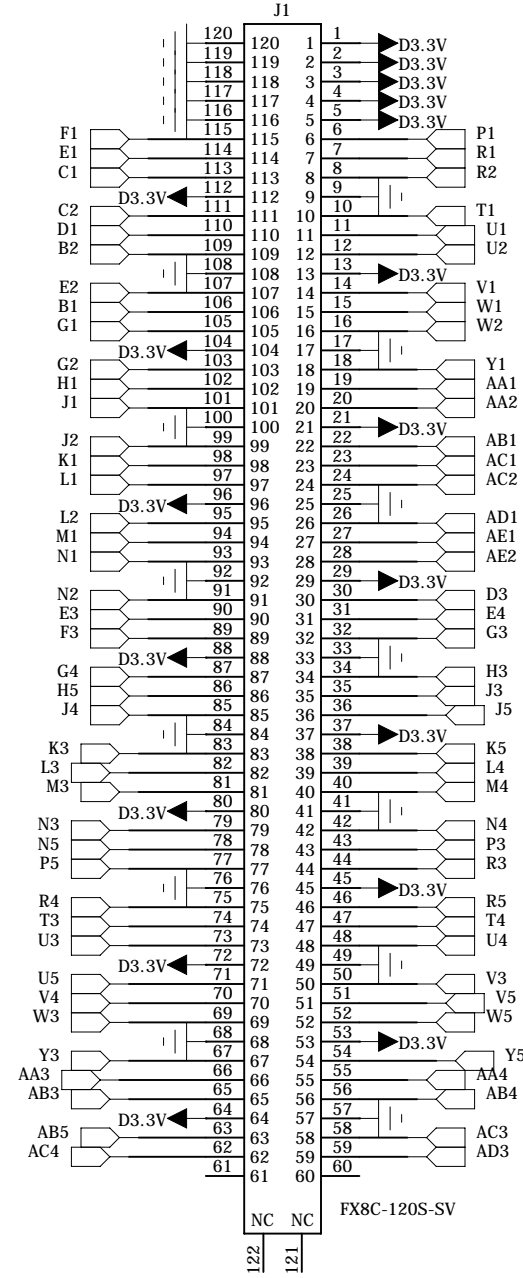
C

B

B

A

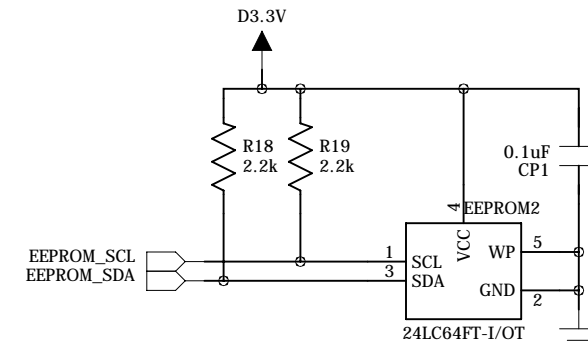
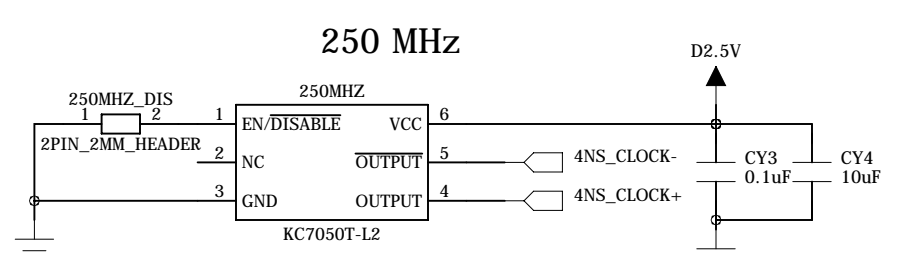
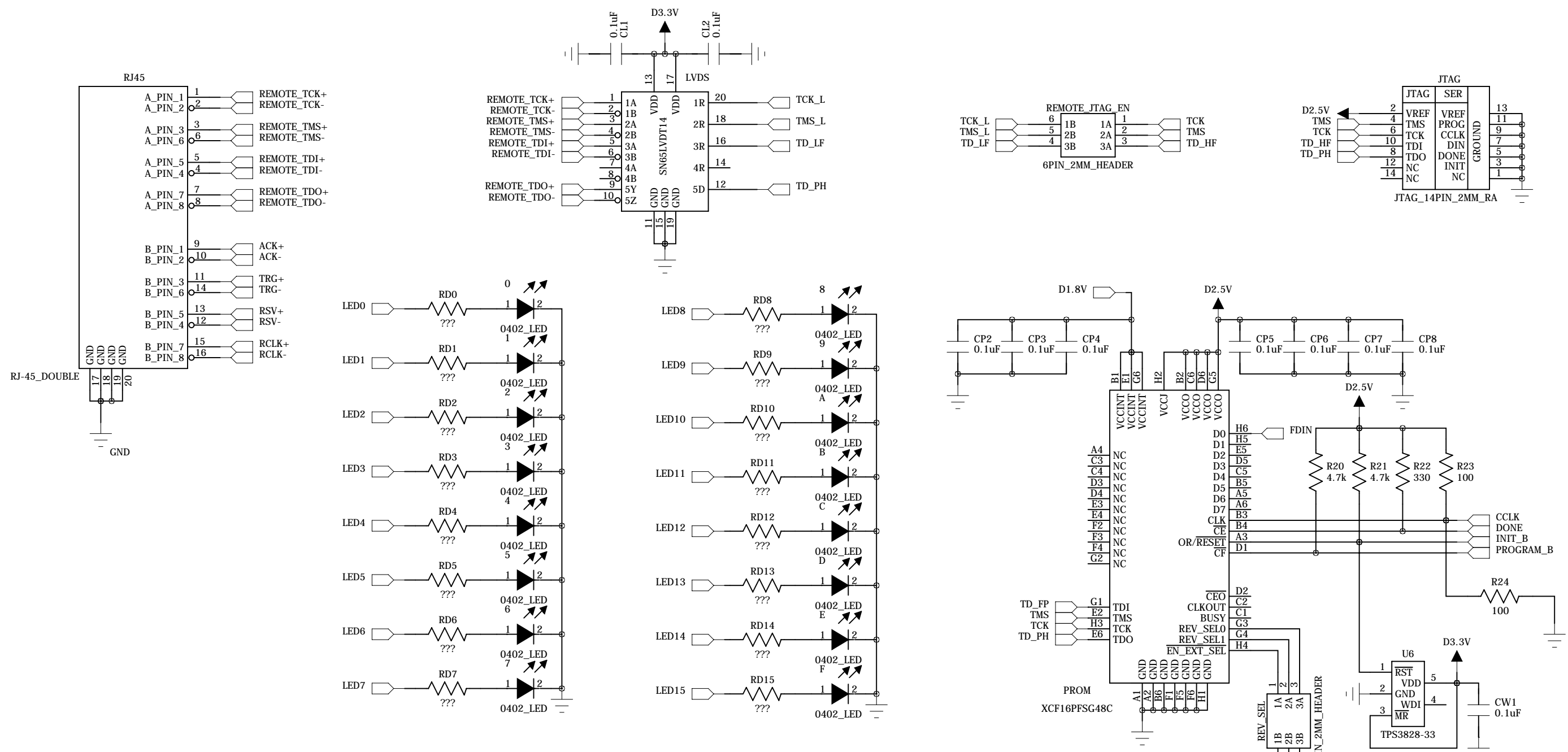
A



institution: University of Hawai'i at Manoa
 High Energy Physics Group
 Instrumentation Development Lab

title: SCROD
 revision: A
 IDLAB design #: IDL_10_007
 circuit design: LJR, MZA, GSV, KAN
 PCB design: LJR, MZA

sheet #:
 sheet description: board-to-board interconnects
 date last modified: 2010-12-29



institution: University of Hawai'i at Manoa
 High Energy Physics Group
 Instrumentation Development Lab

title: SCROD
 revision: A
 IDLAB design #: IDL_10_007
 circuit design: LJR, MZA, GSV, KAN
 PCB design: LJR, MZA

sheet #:
 sheet description: JTAG, CLOCK, LEDs, PROM
 date last modified: 2010-12-29

6

5

4

3

2

1

E

E

D

D

C

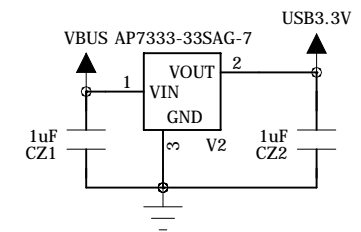
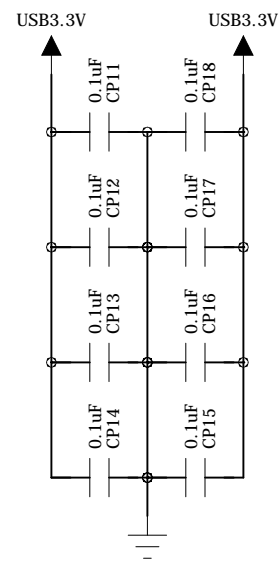
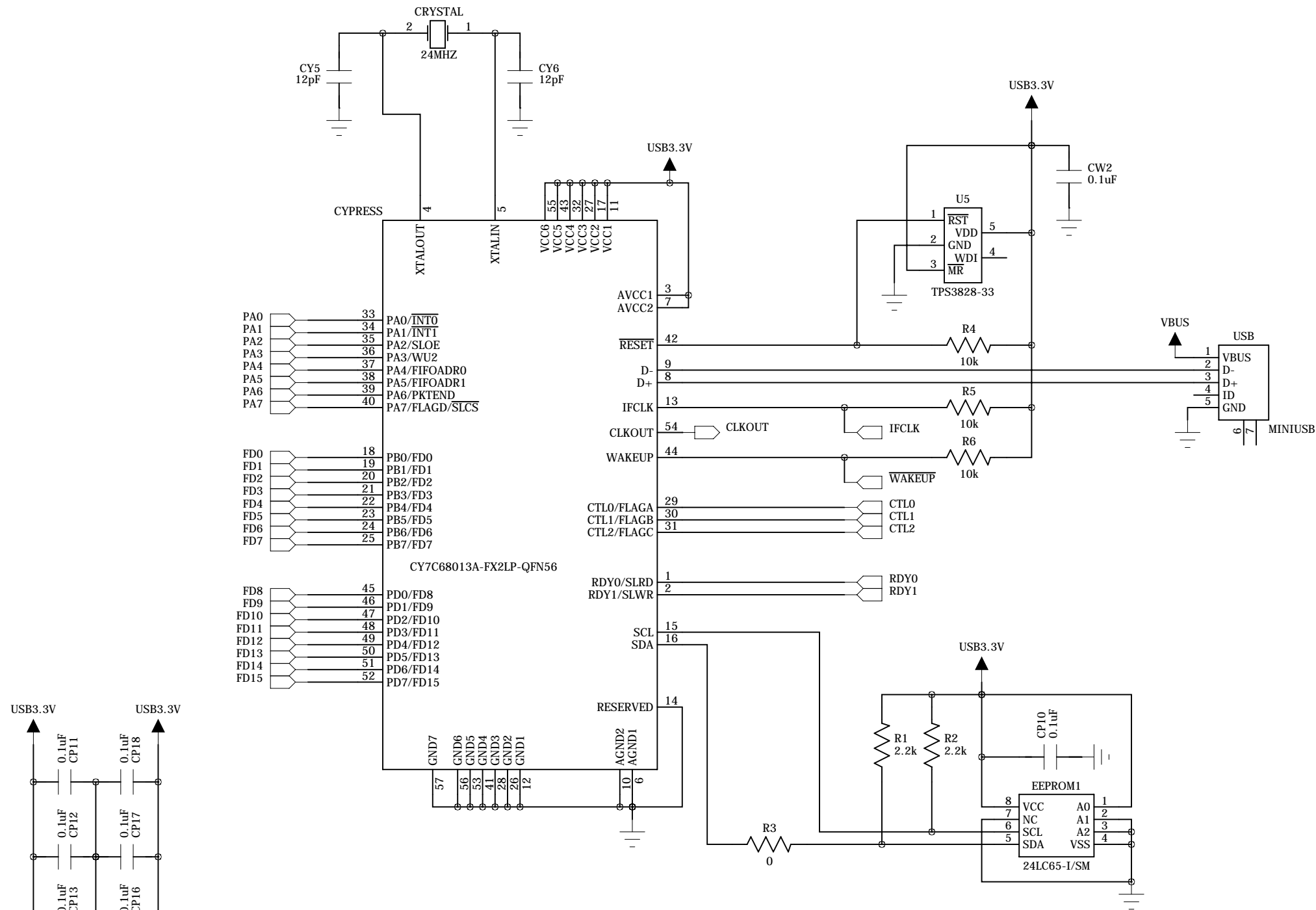
C

B

B

A

A



institution:	University of Hawai'i at Manoa High Energy Physics Group Instrumentation Development Lab
title:	SCROD
revision:	A
IDLAB design #:	IDL_10_007
circuit design:	LJR, MZA, GSV, KAN
PCB design:	LJR, MZA
sheet #:	
sheet description:	Cypress FX2LP USB
date last modified:	2010-12-29