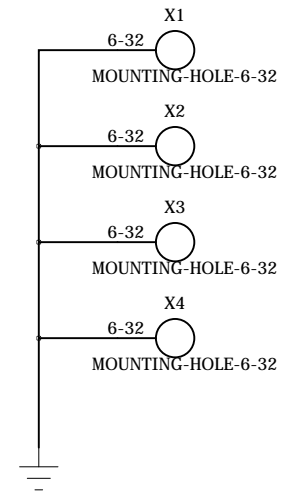
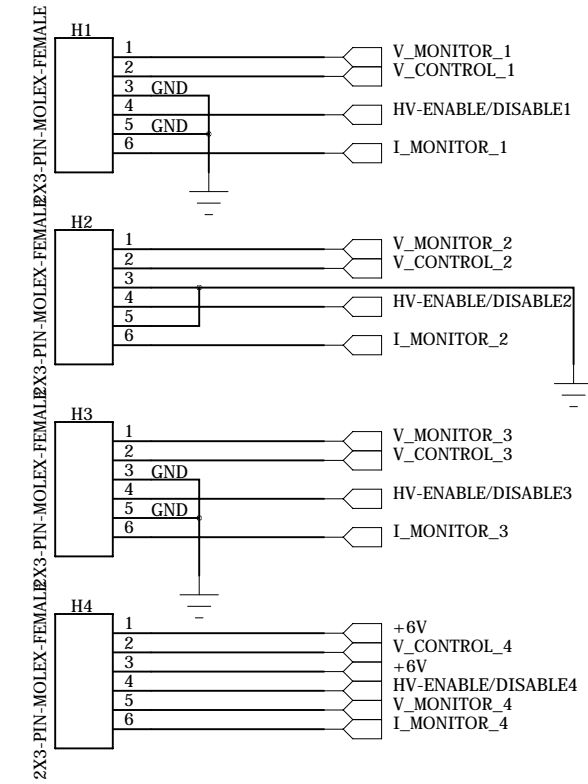
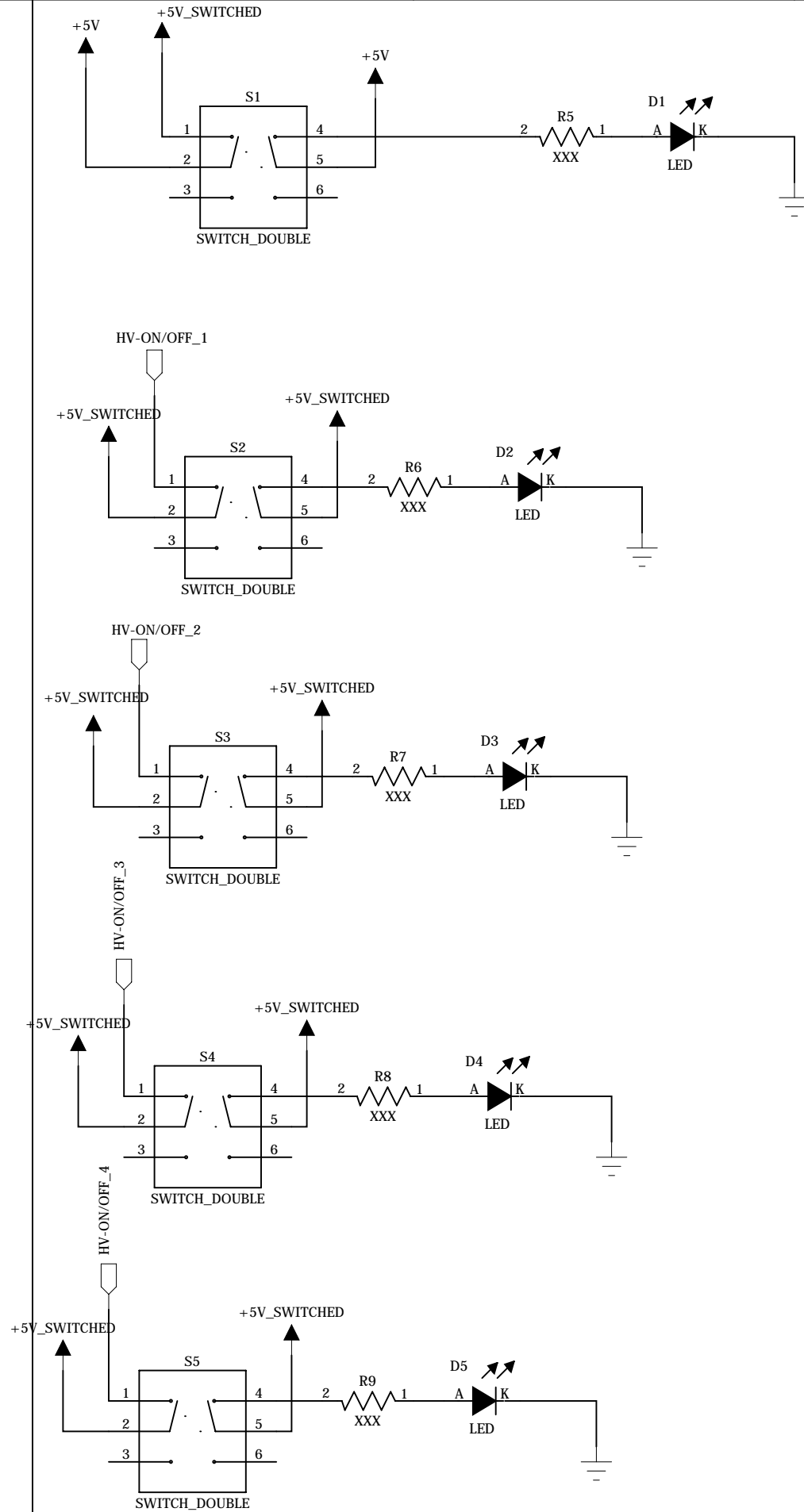
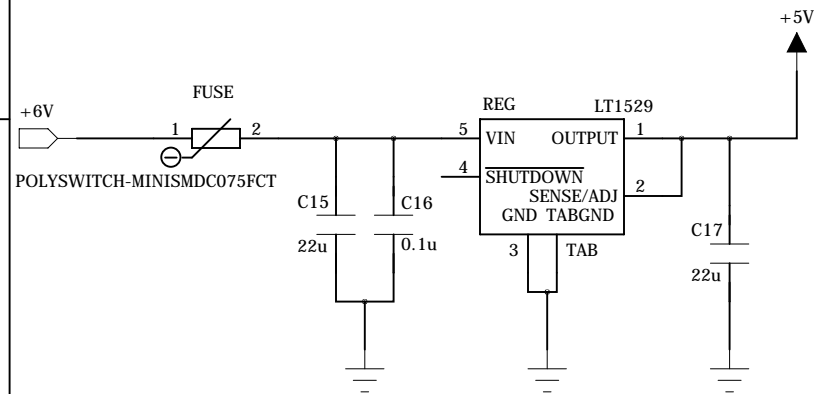
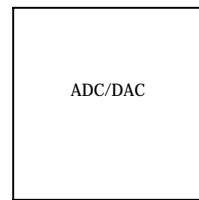
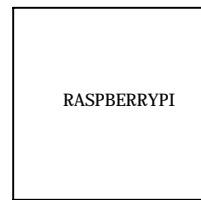


COMMENTS:



institution: University of Hawai'i at Manoa  
 High Energy Physics Group  
 Instrumentation Development Lab

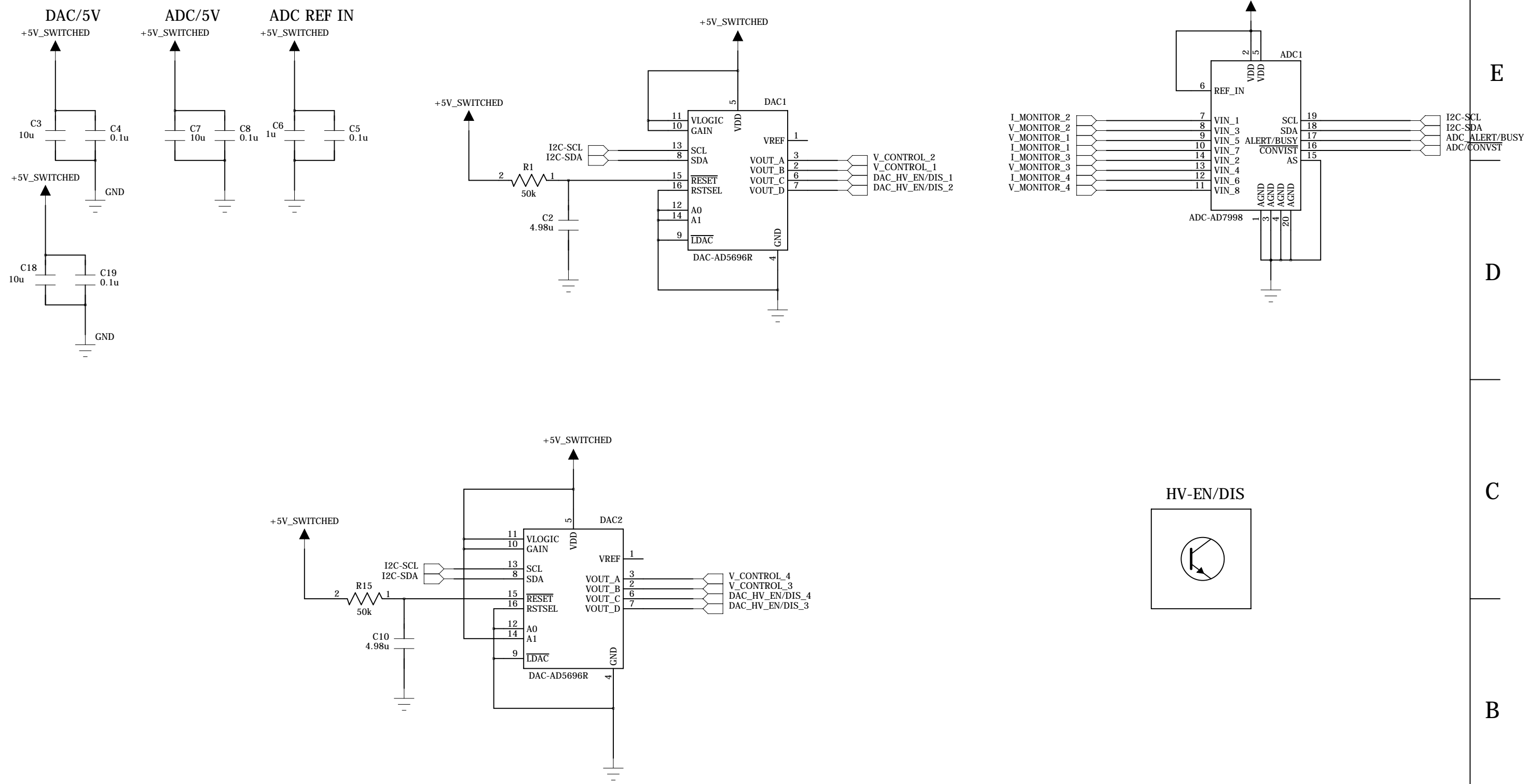
title: NG4KV\_HV  
 revision: A  
 IDLAB design #: IDL\_14\_XXX  
 circuit design: LVV  
 PCB design: LVV

sheet #: 1 of 2  
 sheet description: Schematic  
 date last modified: 26 SEPT 2014

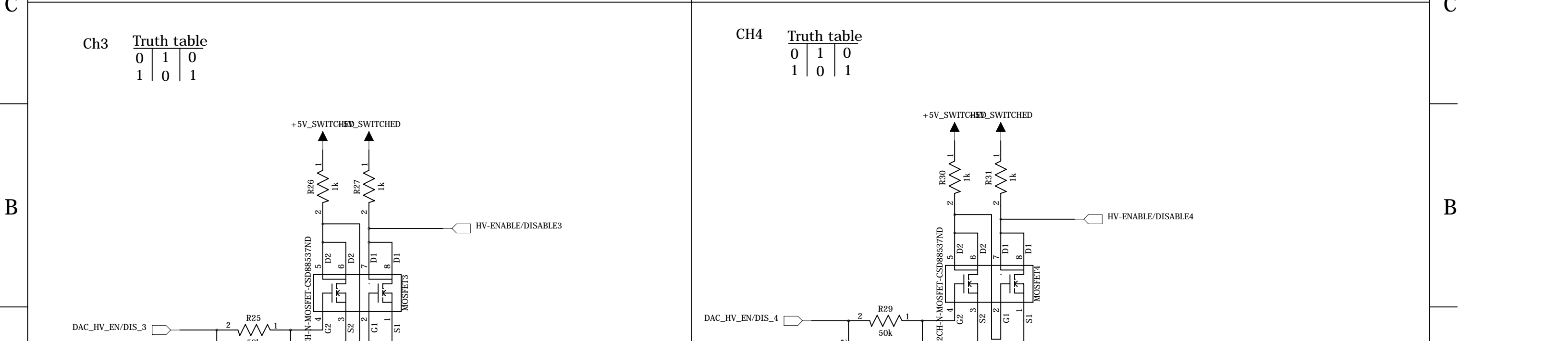
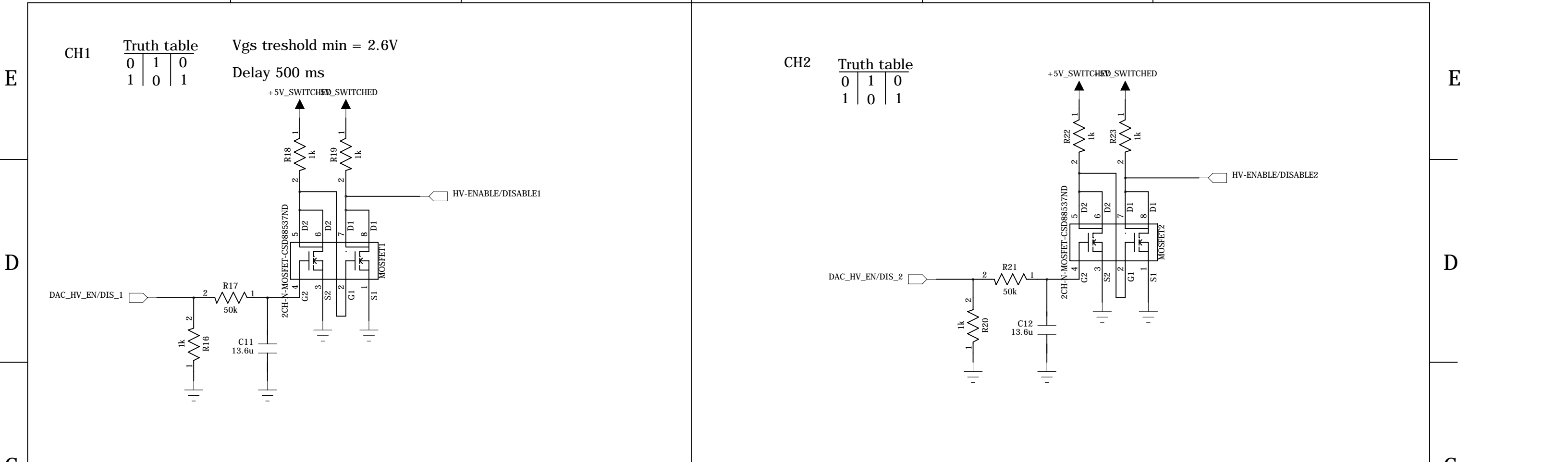
6 5 4 3 2 1

E  
D  
C  
B  
A

E  
D  
C  
B  
A



institution:	University of Hawai'i at Manoa High Energy Physics Group Instrumentation Development Lab
title:	NG4KV_HV
revision:	A
IDLAB design #:	IDL_14_XXX
circuit design:	LVV
PCB design:	LVV
sheet #:	1 of 2
sheet description:	Schematic
date last modified:	26 SEPT 2014



<p>institution: University of Hawai'i at Manoa High Energy Physics Group Instrumentation Development Lab</p>	
<p>title: NG4KV_HV revision: A IDLAB design #: IDL_14_XXX circuit design: LVV PCB design: LVV</p>	
<p>sheet #: 1 of 2 sheet description: Schematic date last modified: 26 SEPT 2014</p>	

6

5

4

3

2

1

E

E

D

D

C

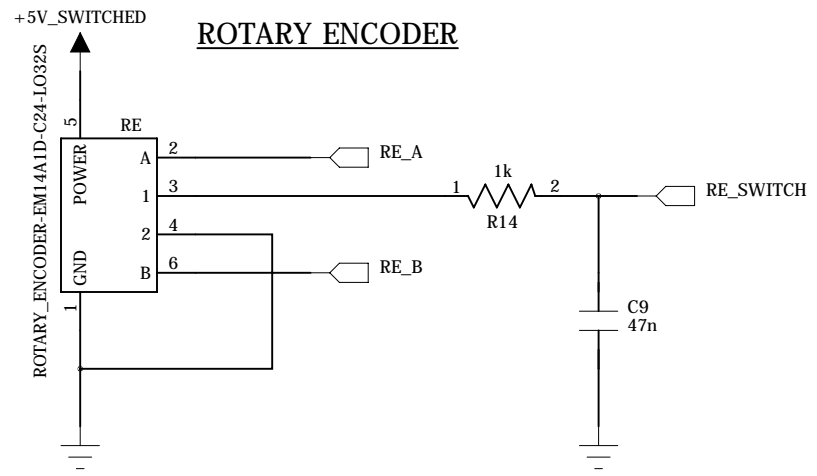
C

B

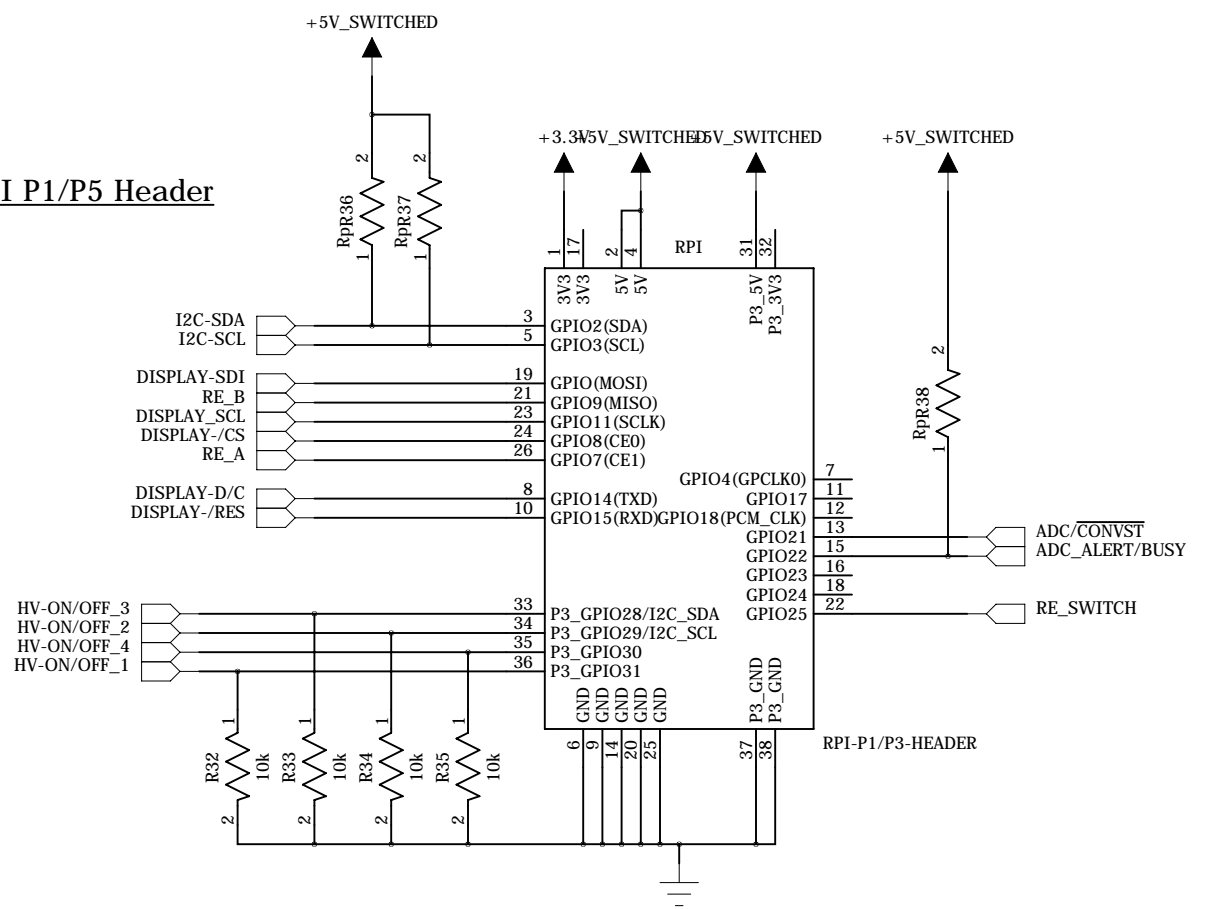
B

A

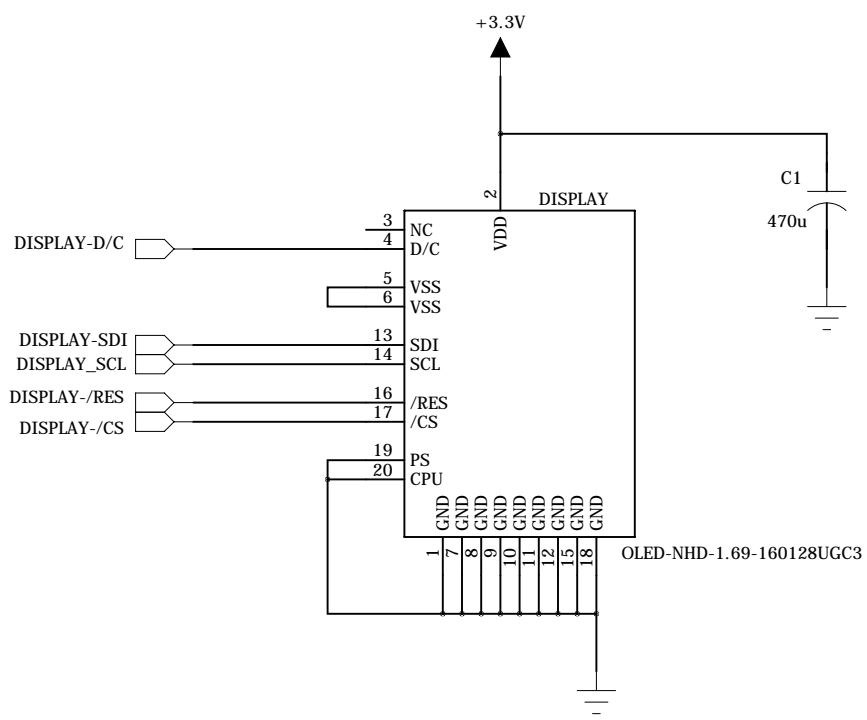
A



**RPI P1/P5 Header**



**DISPLAY**



institution:	University of Hawai'i at Manoa High Energy Physics Group Instrumentation Development Lab
title:	NG4KV_HV
revision:	A
IDLAB design #:	IDL_14_XXX
circuit design:	LVV
PCB design:	LVV
sheet #:	1 of 2
sheet description:	Schematic
date last modified:	26 SEPT 2014