

6

5

4

3

2

1

D

D

C

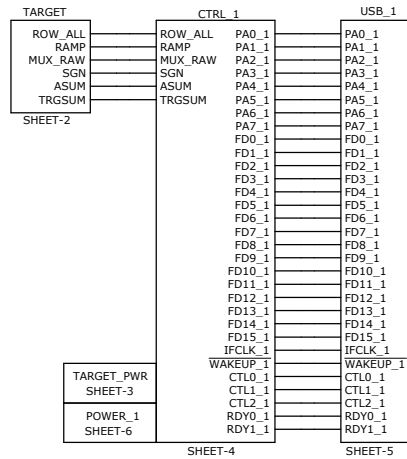
C


B

B

A

A



Univ. of Hawai'i -- Instr. Dev. Lab.			
TITLE: LARC_TARGET_eval			
	Design:	Page Description:	REV:
	LLR	TOP Block	C
DATED: 31-MAY-2008		[TOP]	SHEET: 1 OF 11

6

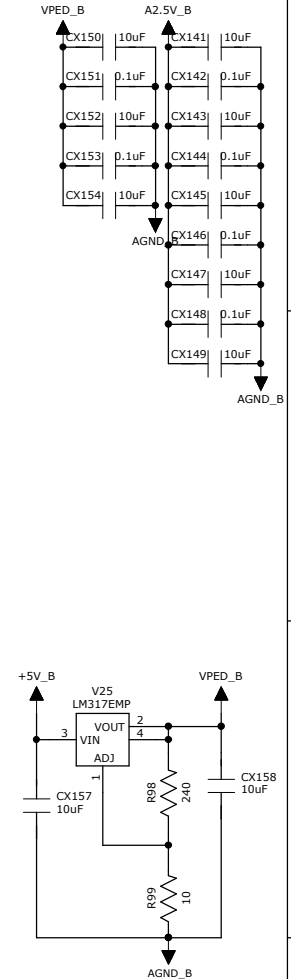
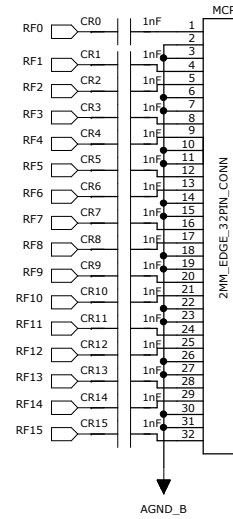
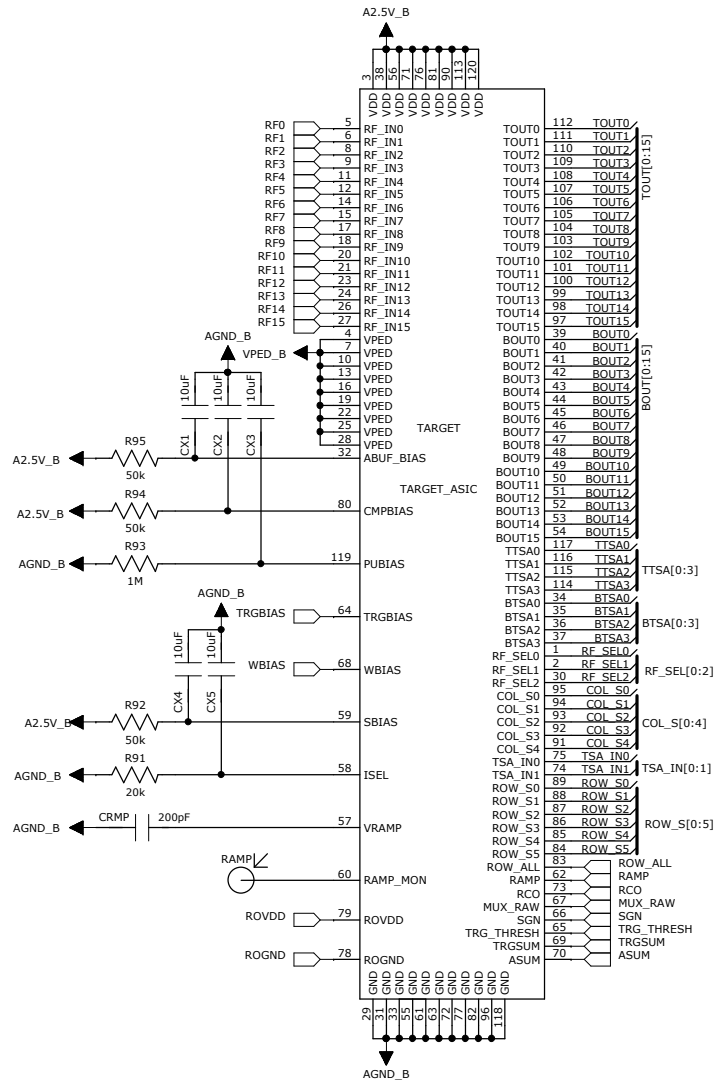
5

4

3

2

1



Univ. of Hawai'i -- Instr. Dev. Lab.

TITLE: TARGET_eval



Design: LLR

Page Description: TARGET Block

REV: C

DATED: 31-MAY-2008

[TARGET]

SHEET: 7 OF 11

6

5

4

3

2

1

D

D

C

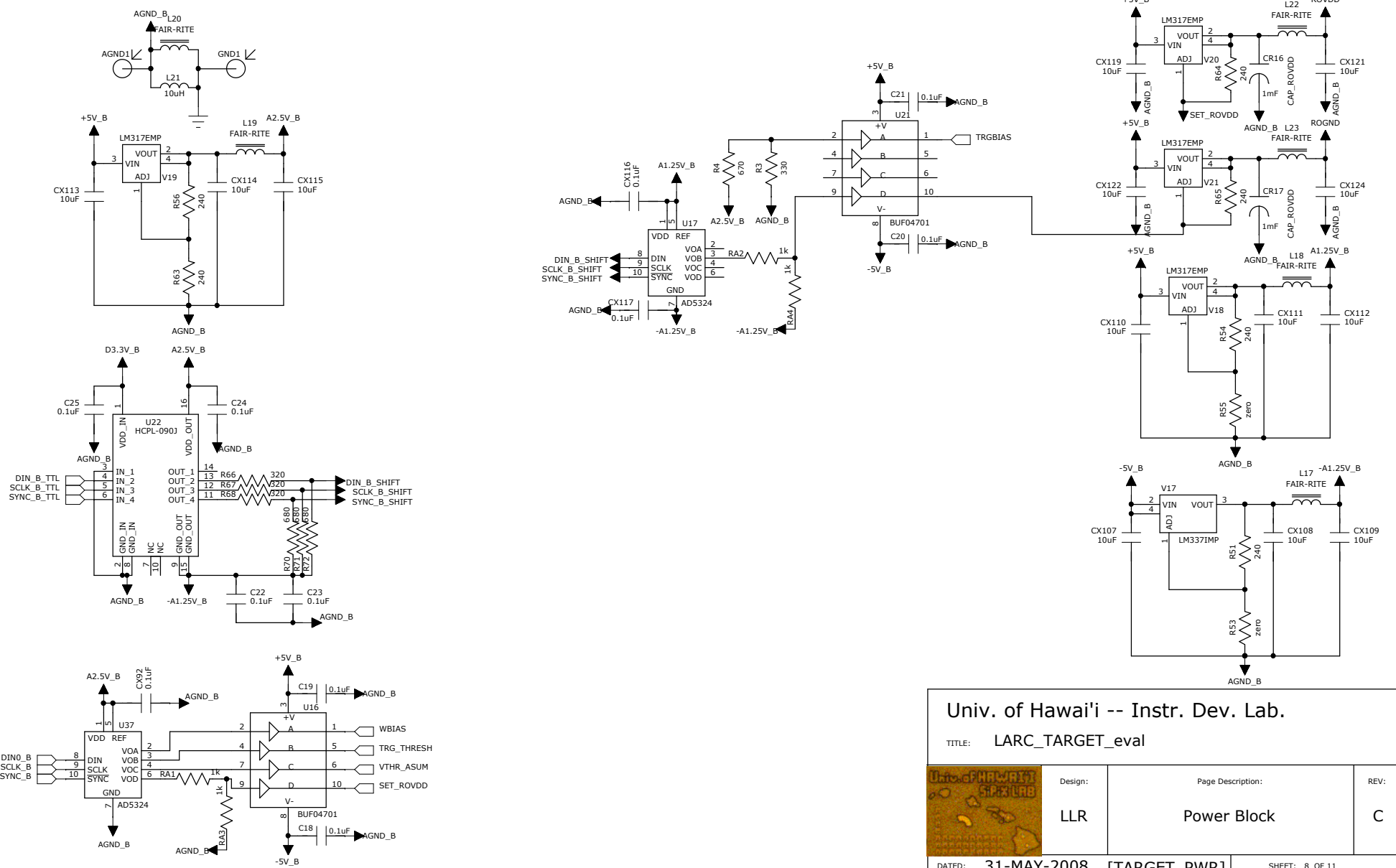
C

B

B


A

A



Univ. of Hawai'i -- Instr. Dev. Lab.

TITLE: LARC_TARGET_eval

	Design:	Page Description:	REV:
	LLR	Power Block	C

DATED: 31-MAY-2008 [TARGET_PWR] SHEET: 8 OF 11

6 5 4 3 2 1

D

C

B

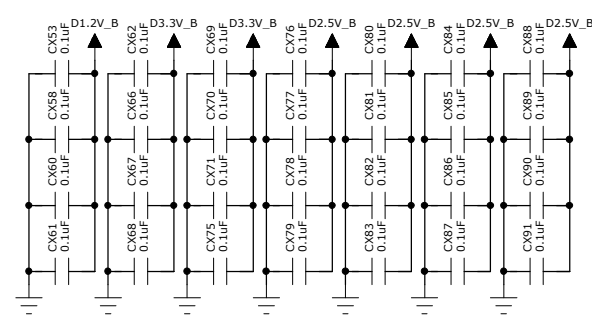
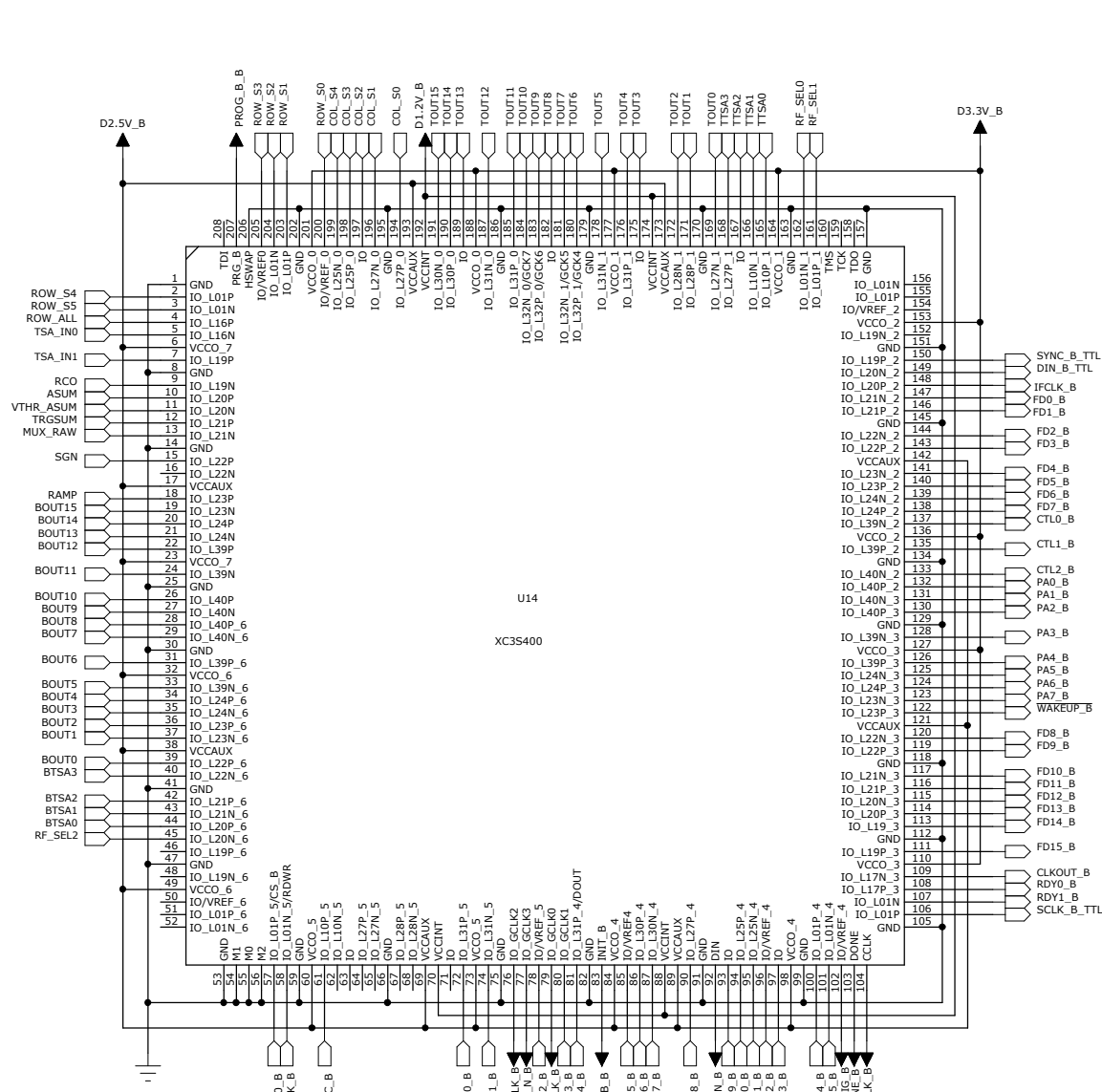
A

D

C


B

A



Univ. of Hawai'i -- Instr. Dev. Lab.

TITLE: LARC_TARGET_eval

	Design:	Page Description:	REV:
	LLR	Overall TARGET Control	C

DATED: 31-MAY-2008 [CTRL_1] SHEET: 9 OF 11

6

5

4

3

2

1

D

D

C

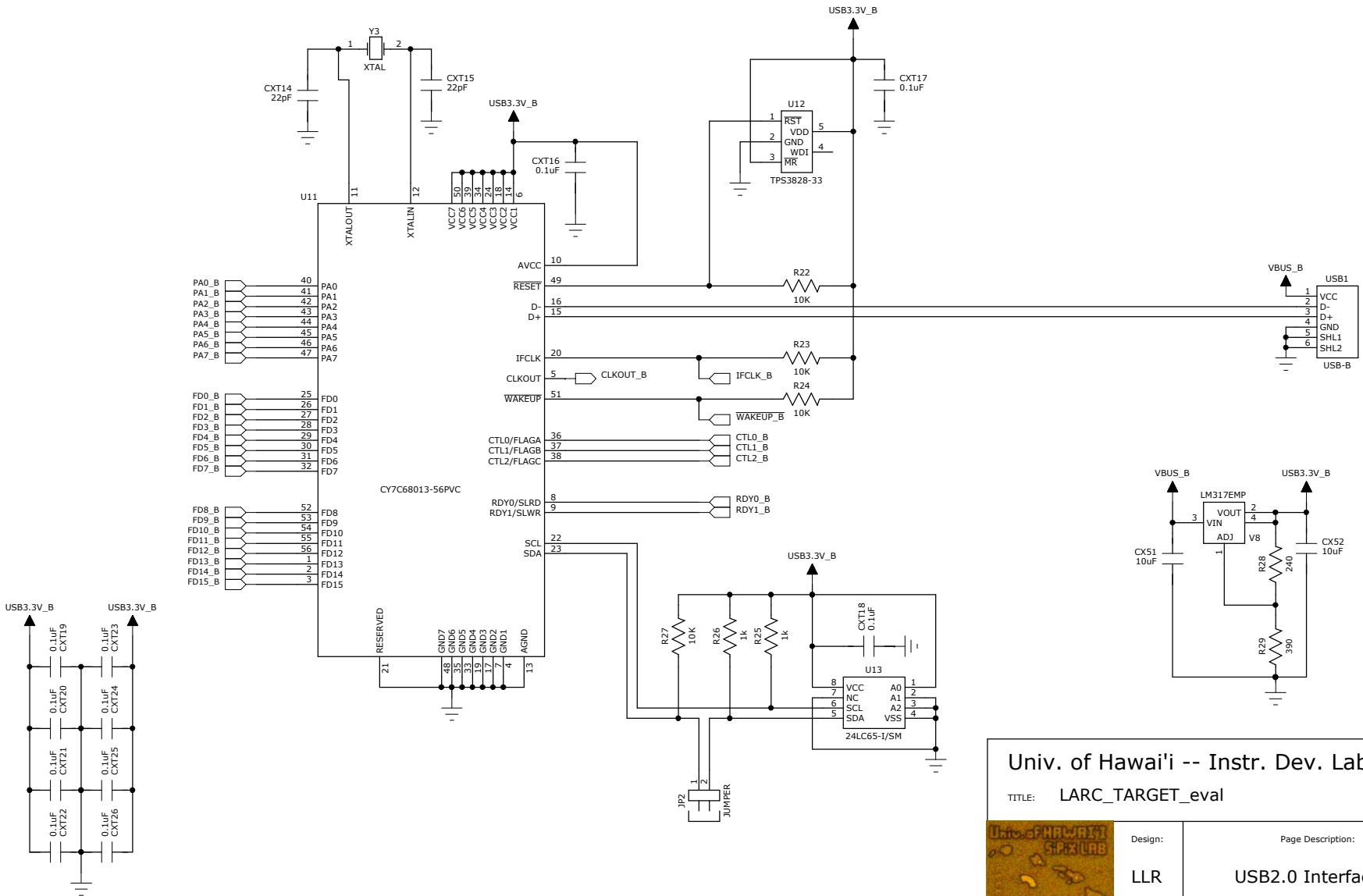
C

B

B


A

A



Univ. of Hawai'i -- Instr. Dev. Lab.

TITLE: LARC_TARGET_eval

	Design:	Page Description:	REV:
	LLR	USB2.0 Interface	C

DATED: 31-MAY-2008 [USB_1] SHEET: 10 OF 11

6

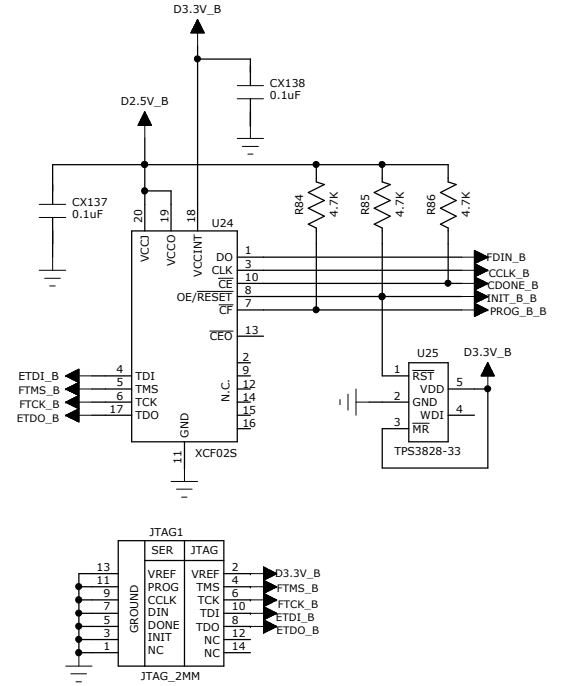
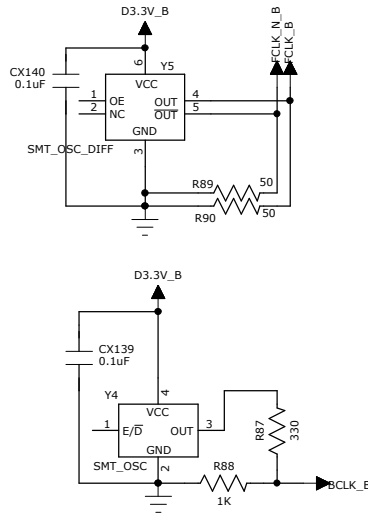
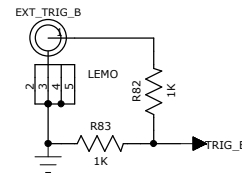
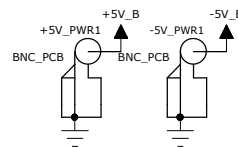
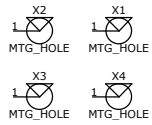
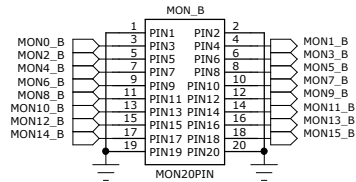
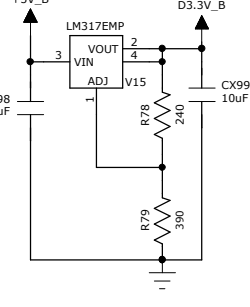
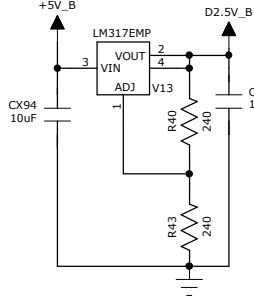
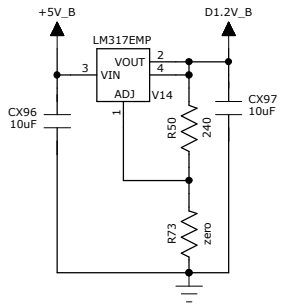
5


4

3

2

1



Univ. of Hawai'i -- Instr. Dev. Lab.			
TITLE: LARC_TARGET_eval			
	Design:	Page Description:	REV:
	LLR	Power Block	C
DATED: 31-MAY-2008		[PWR_1]	SHEET: 11 OF 11

D

C

B

A

D

C

B

A