

6

5

4

3

2

1

D

D

C

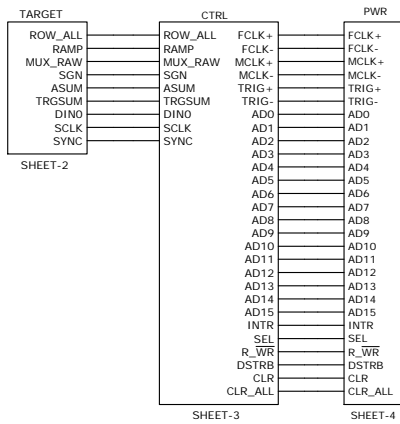
C

B

B

A

A



Univ. of Hawai'i -- Instr. Dev. Lab.

TITLE: MCP\_TARGET



Design:

LLR

Page Description:

TOP Level

REV:

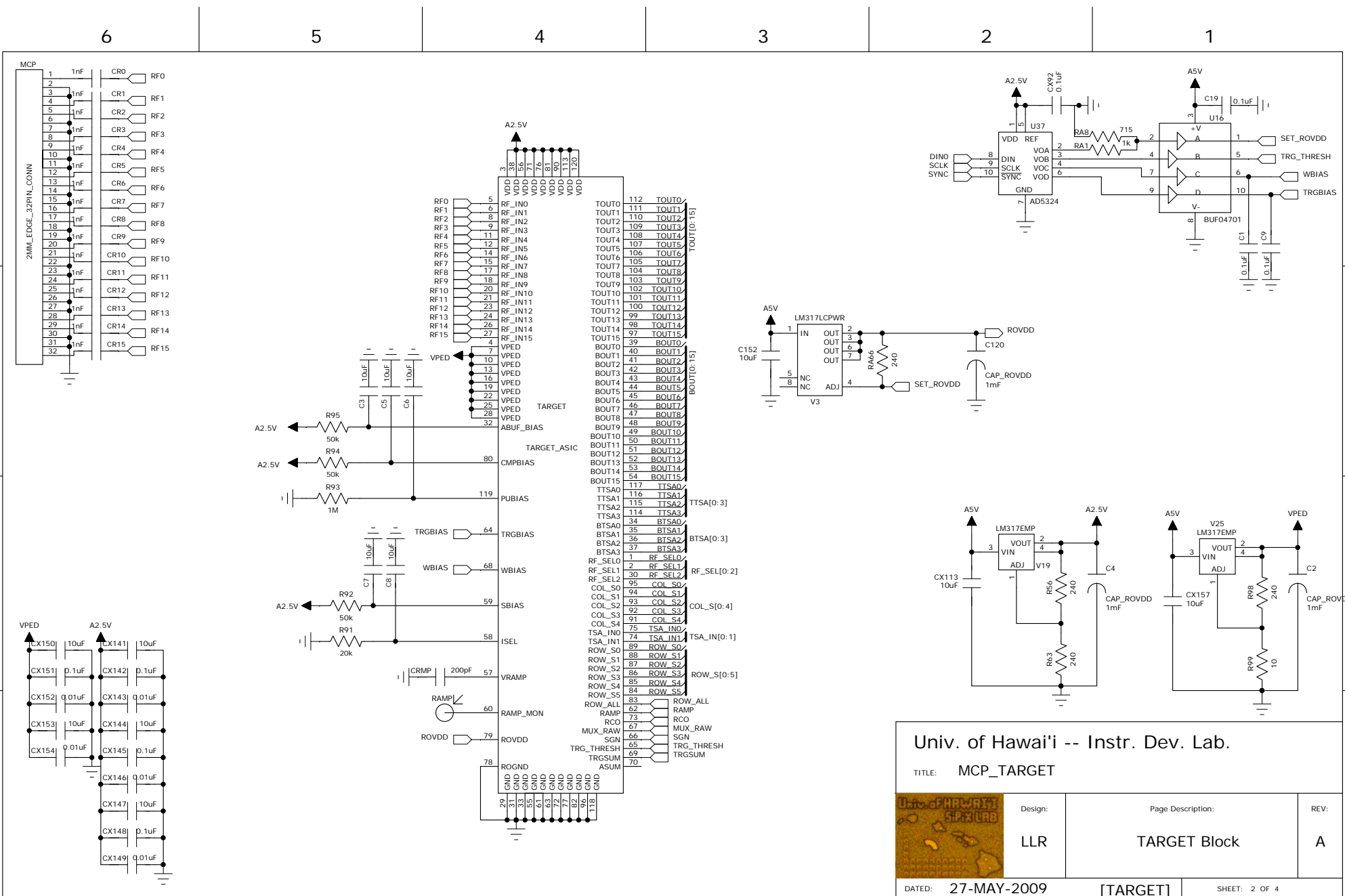
A

DATED: 27-MAY-2009

[TOP]


SHEET: 1 OF 4

D  
C  
B  
A



Univ. of Hawai'i -- Instr. Dev. Lab.

TITLE: MCP\_TARGET

	Design:	Page Description:	REV:
	LLR	TARGET Block	A
DATED: 27-MAY-2009		[TARGET]	SHEET: 2 OF 4

6 5 4 3 2 1

D

C

B

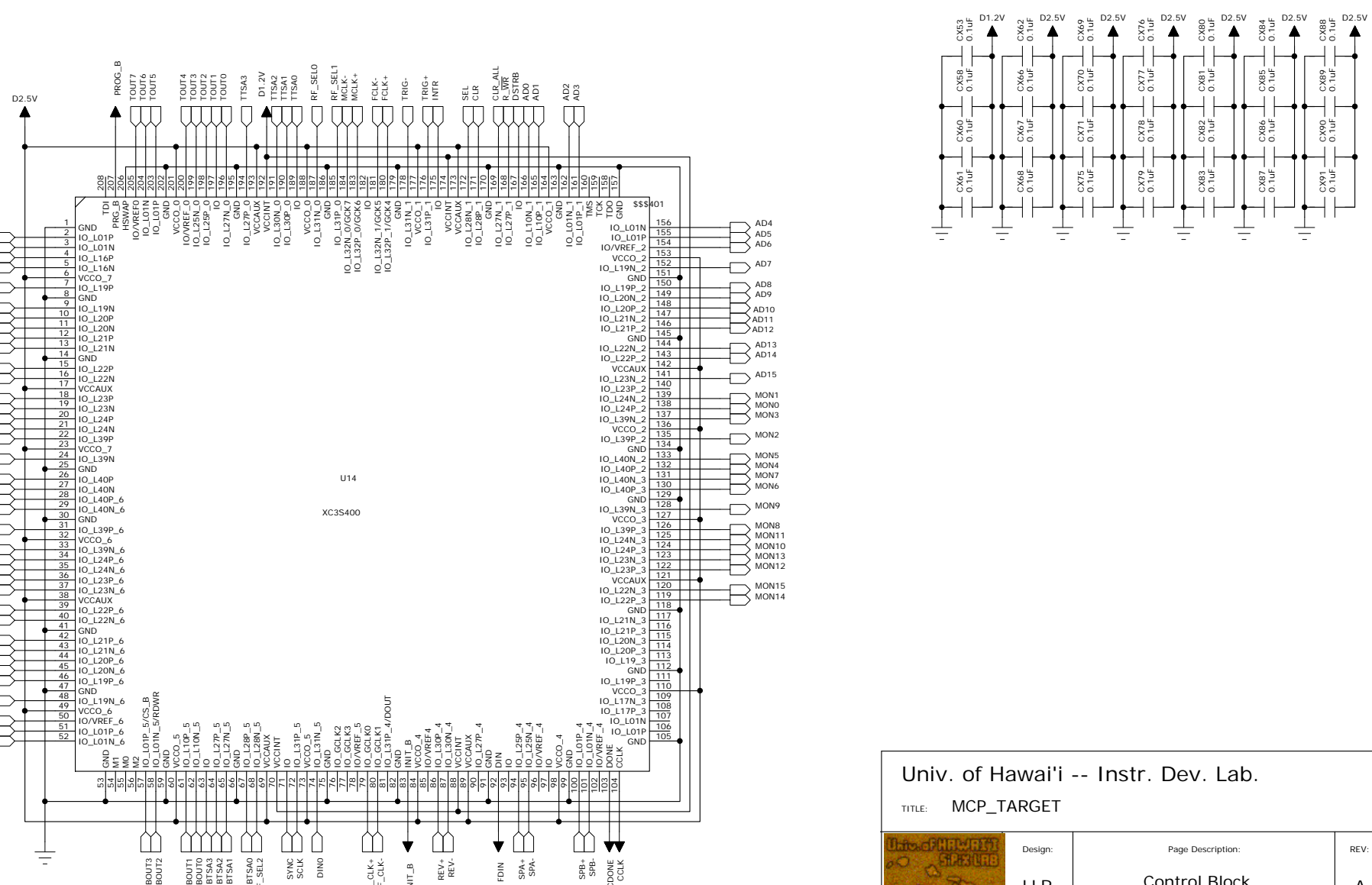
A

D

C


B

A



Univ. of Hawai'i -- Instr. Dev. Lab.

TITLE: MCP\_TARGET

	Design:	Page Description:	REV:
	LLR	Control Block	A

DATED: 27-MAY-2009 [CTRL] SHEET: 3 OF 4

6

5

4

3

2

1

D

D

C

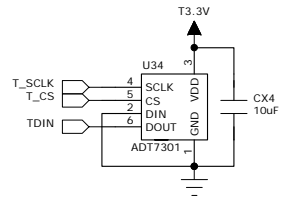
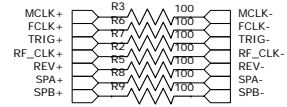
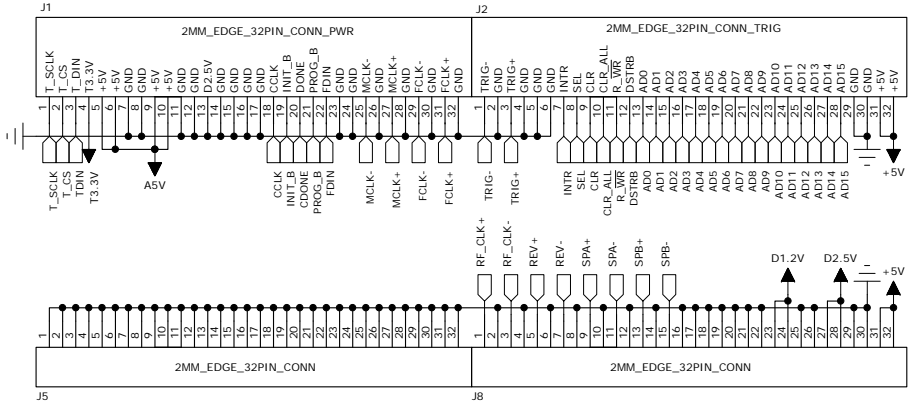
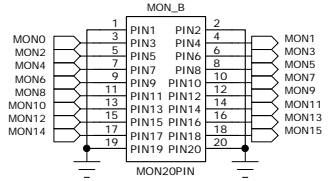
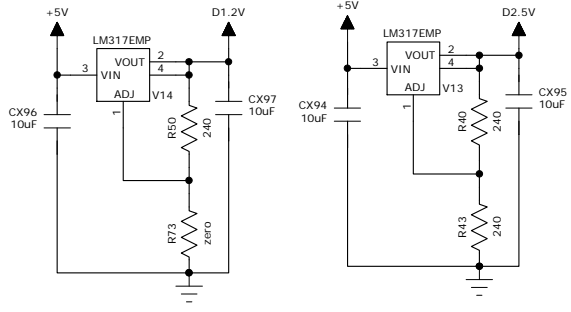
C

B

B


A

A



Univ. of Hawai'i -- Instr. Dev. Lab.

TITLE: MCP\_TARGET

	Design:	Page Description:	REV:
	LLR	Power Block	A

DATED: 27-MAY-2009 [PWR] SHEET: 4 OF 4