

6

5

4

3

2

1

D

D

C

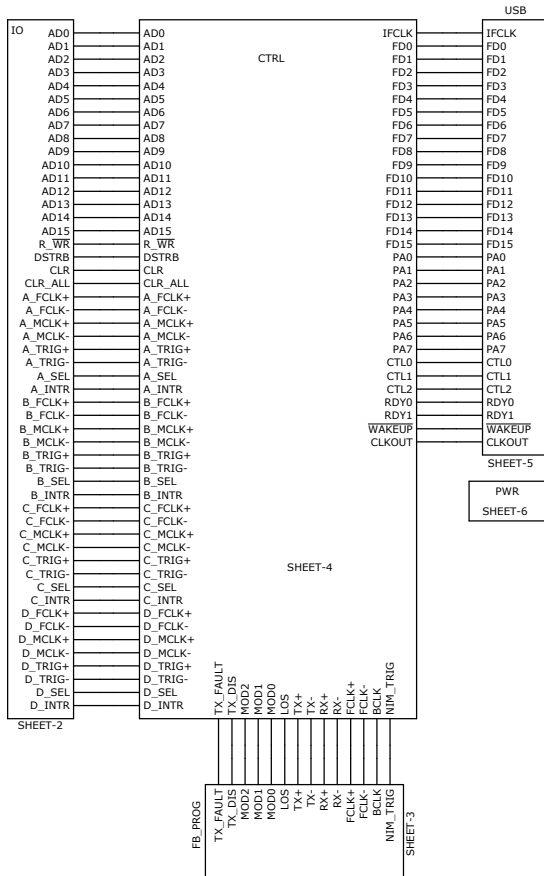
C

B

B


A

A



Univ. of Hawai'i -- Instr. Dev. Lab.

TITLE: MCP_MAIN

	Design:	Page Description:	REV:
	LLR	Top Level	C

DATED: 28-OCT-2008 [TOP] SHEET: 1 OF 6

6

5

4

3

2

1

D

C

B

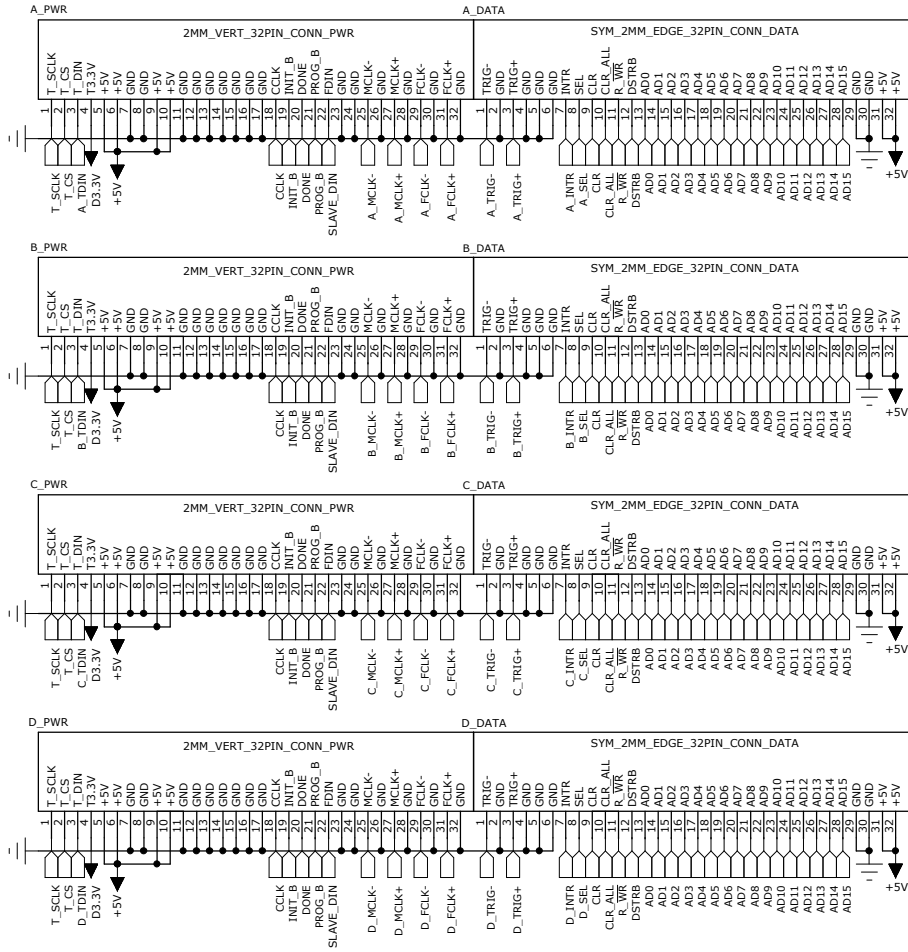
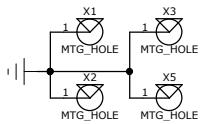
A


D

C

B

A



Univ. of Hawai'i -- Instr. Dev. Lab.			
TITLE: MCP_MAIN			
	Design:	Page Description:	REV:
	LLR	ADC I/Os block	C
DATED: 28-OCT-2008		[IO]	SHEET: 2 OF 6

6

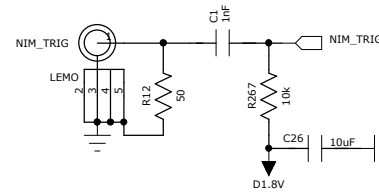
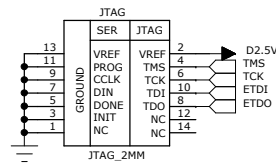
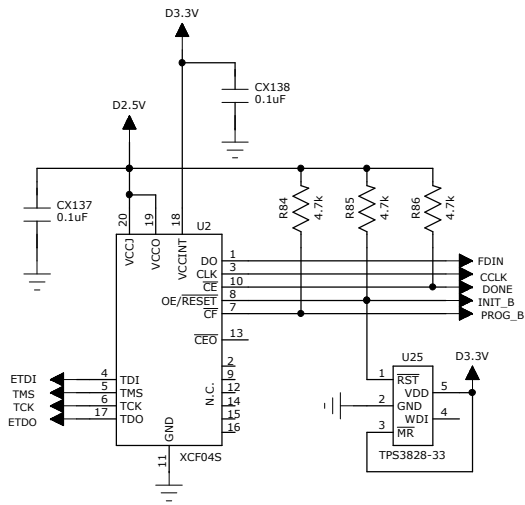
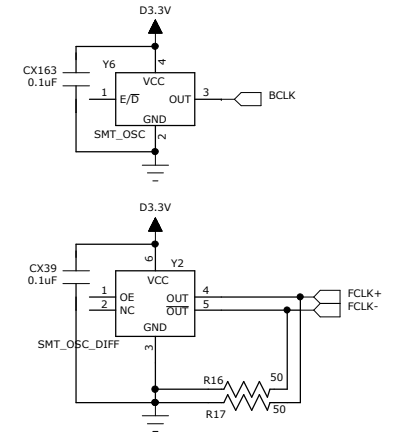
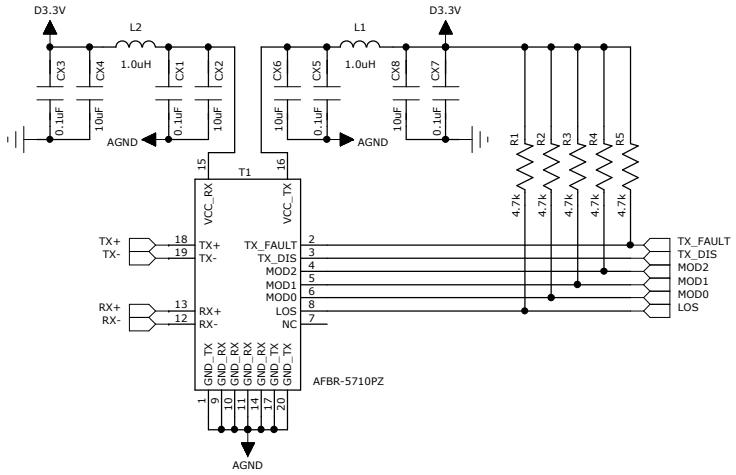
5

4

3

2

1



Univ. of Hawai'i -- Instr. Dev. Lab.

TITLE: MCP_MAIN



Design: LLR

Page Description: Fiber Optic block

REV: C

DATED: 11-SEPT-2008

[FB_PROG]

SHEET: 3 OF 6

6

5

4

3

2

1

D

D

C

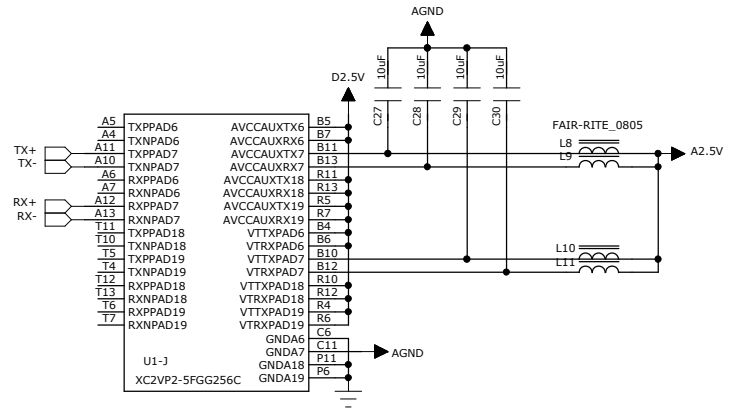
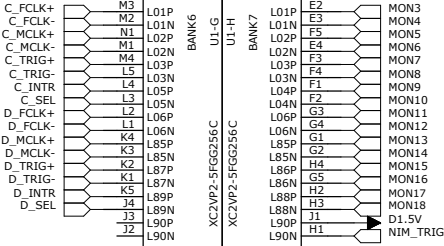
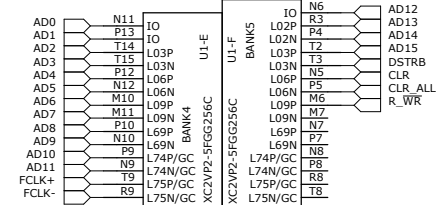
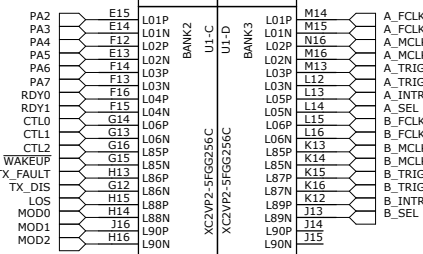
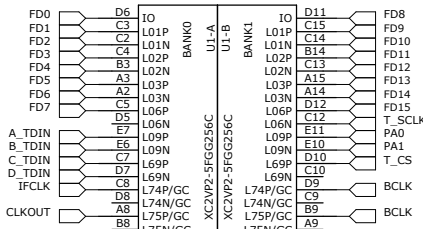
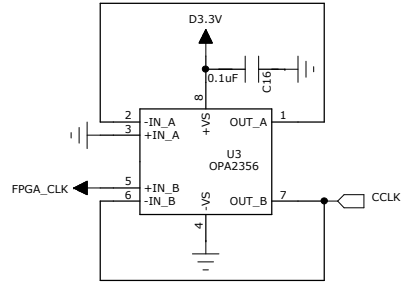
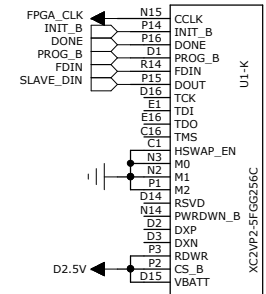
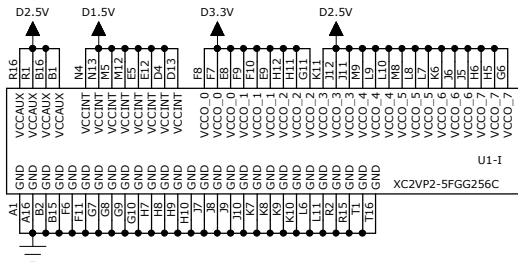
C

B

B

A

A



Univ. of Hawai'i -- Instr. Dev. Lab.

TITLE: MCP_MAIN

Design: LLR

Page Description: Overall Control

REV: C

DATED: 28-OCT-2008 [CTRL] SHEET: 4 OF 6

6

5

4

3

2

1

D

D

C

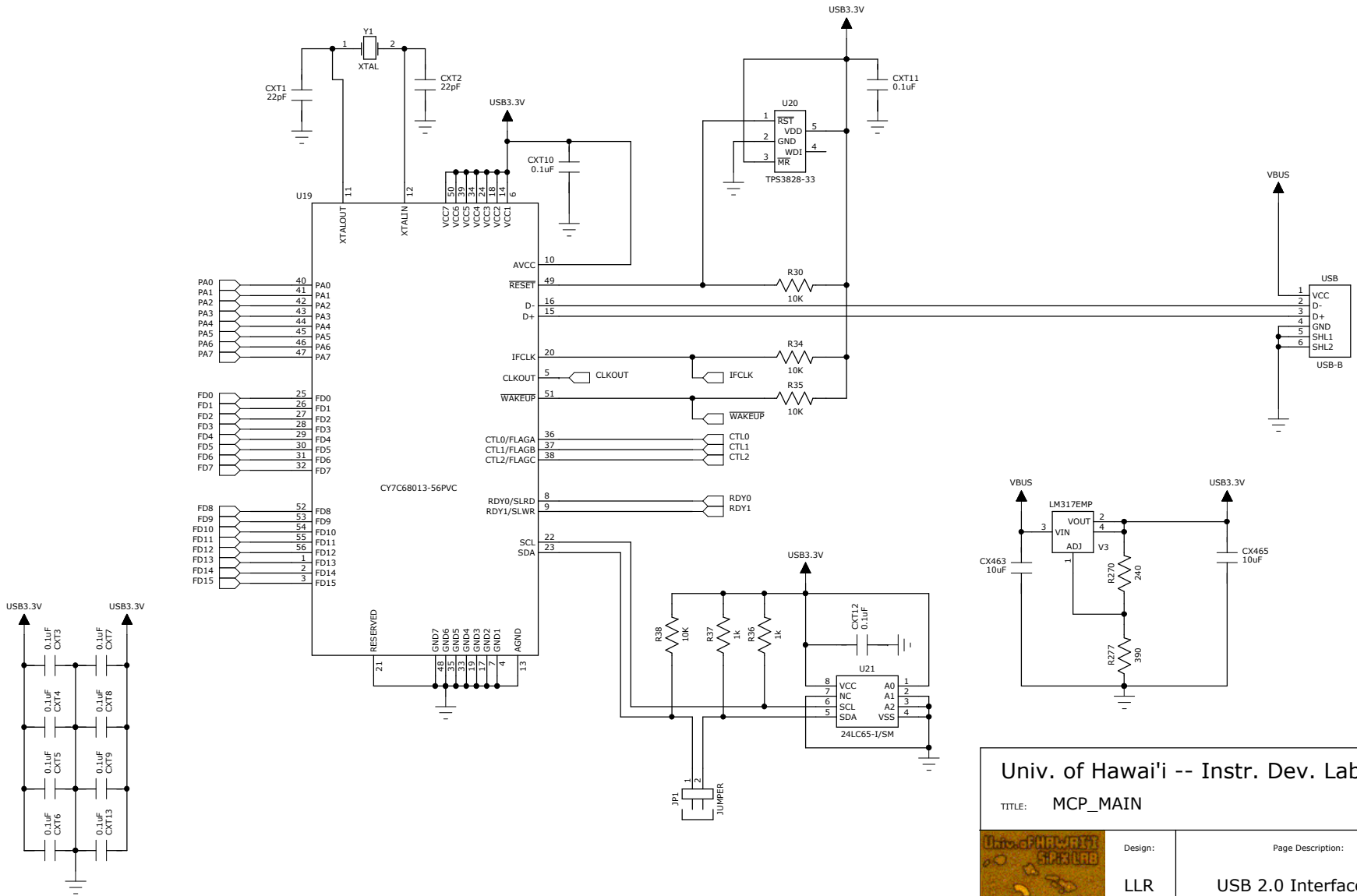
C

B

B


A

A



Univ. of Hawai'i -- Instr. Dev. Lab.

TITLE: MCP_MAIN

	Design:	Page Description:	REV:
	LLR	USB 2.0 Interface	C

DATED: 11-SEPT-2008 [USB] SHEET: 5 OF 6

6

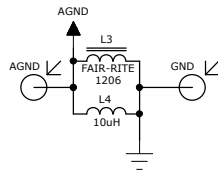
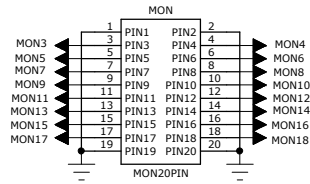
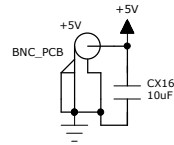
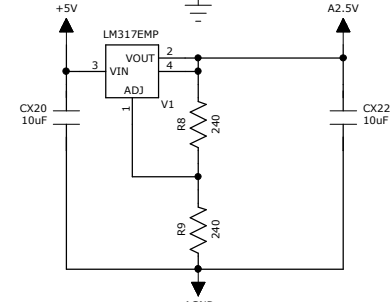
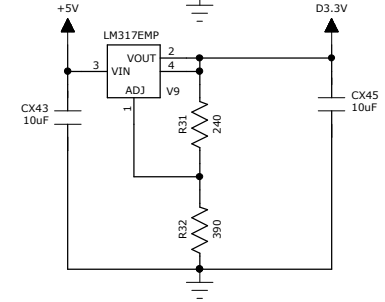
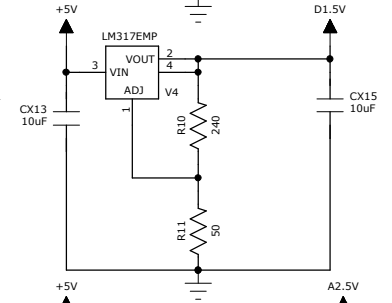
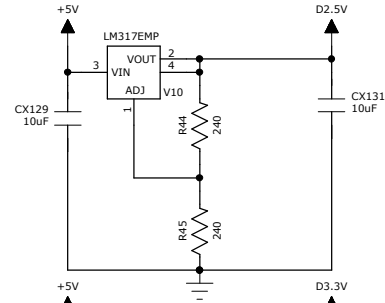
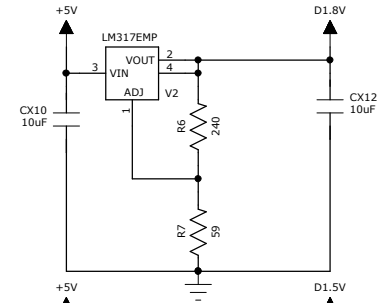
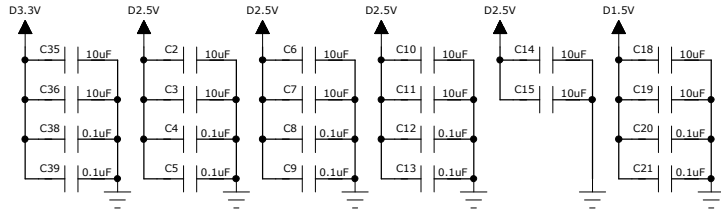
5

4

3

2

1



Univ. of Hawai'i -- Instr. Dev. Lab.

TITLE: MCP_MAIN



Design:

LLR

Page Description:

Power Block

REV:

C

DATED: 11-SEPT-2008

[POWER]

SHEET: 6 OF 6