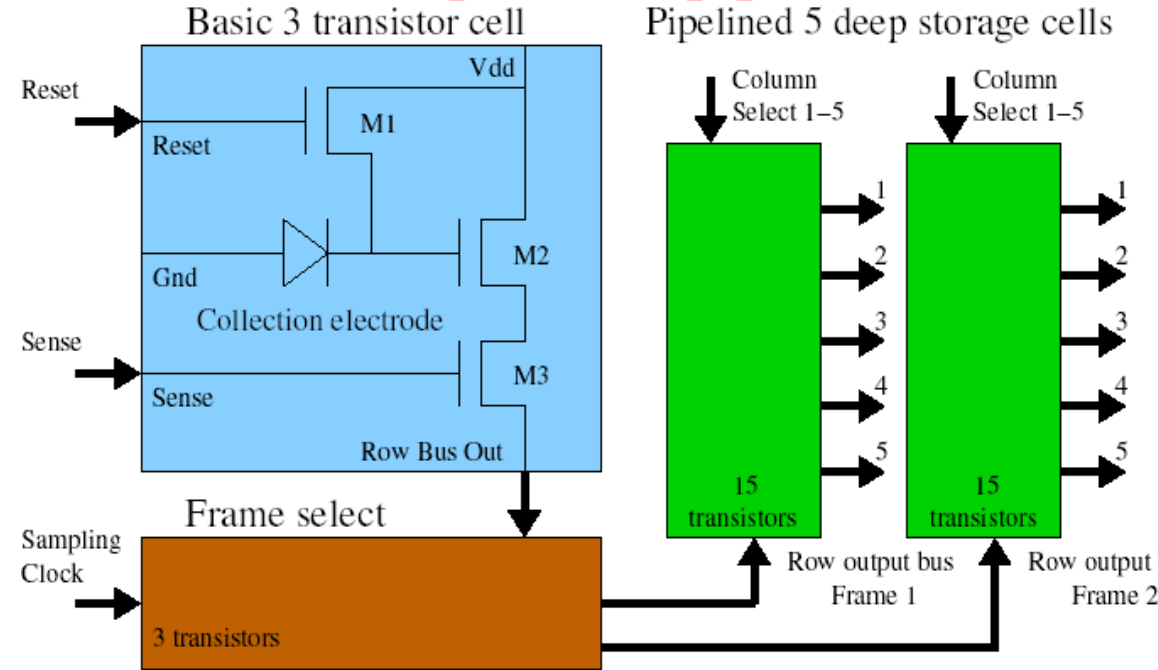


120Kpixel sensor (128x928 pix)

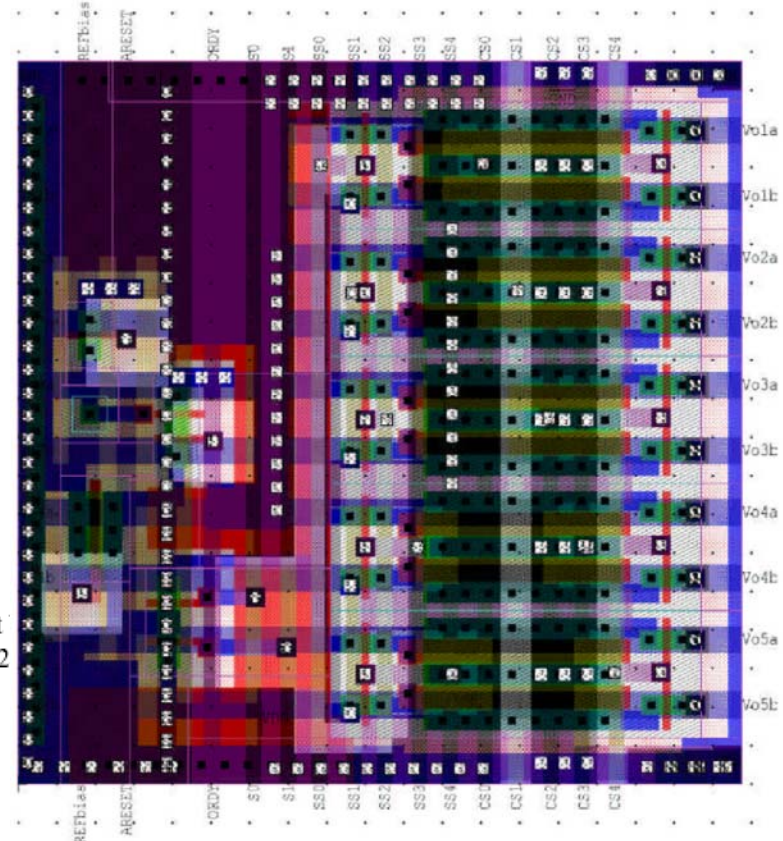
5-deep double pipeline

TSMC 0.25 μ m Process



36 transistors/pixel

5 sets CDS pairs



5 metal layers