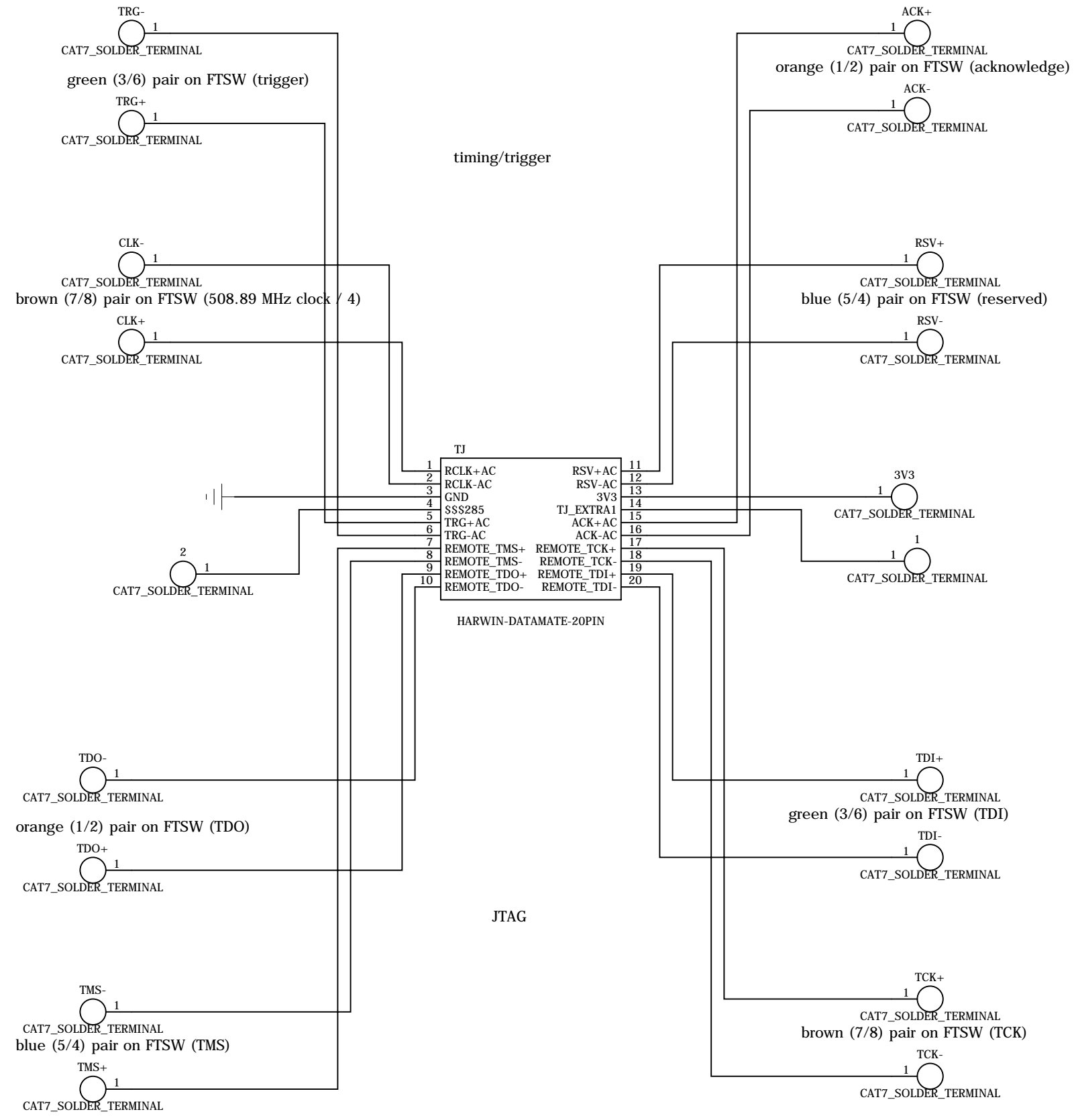
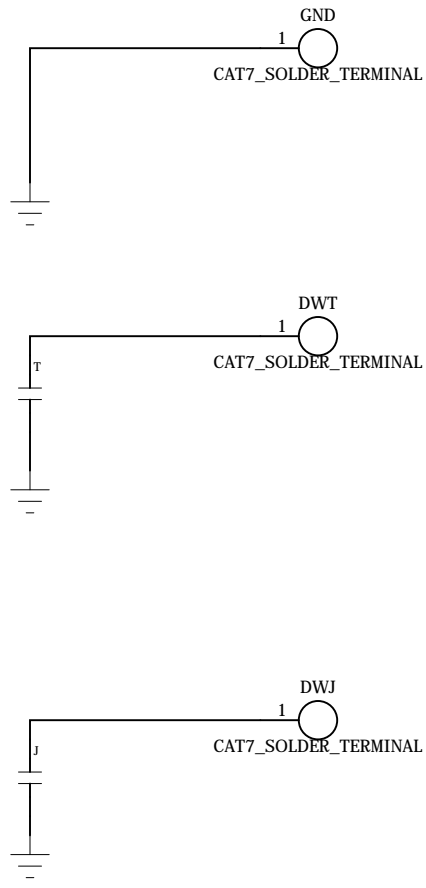
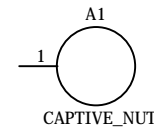


FTSW pair definitions from <https://belle2.cc.kek.jp/~twiki/bin/view/Detector/DAQ/TimingDistribution>
T568B / cat7 cable wire color definitions from <http://www.incentre.net/tech-support/other-support/ethernet-cable-color-coding-diagram/>
drain wire, orange and green twisted pairs shall come out on top of board (with Belle II logo)
blue and brown twisted pairs shall come out on bottom of the board (with harwin 20 pin connector)



institution:	University of Hawaii at Manoa High Energy Physics Lab Instrumentation Development Lab
title:	T.J. Hooker
revision:	A
IDLAB design #:	IDL_15_015
circuit design:	GV, CK, mza
PCB design:	CK
sheet #:	1 of 1
sheet description:	BOARD
date last modified:	2015-11-24