

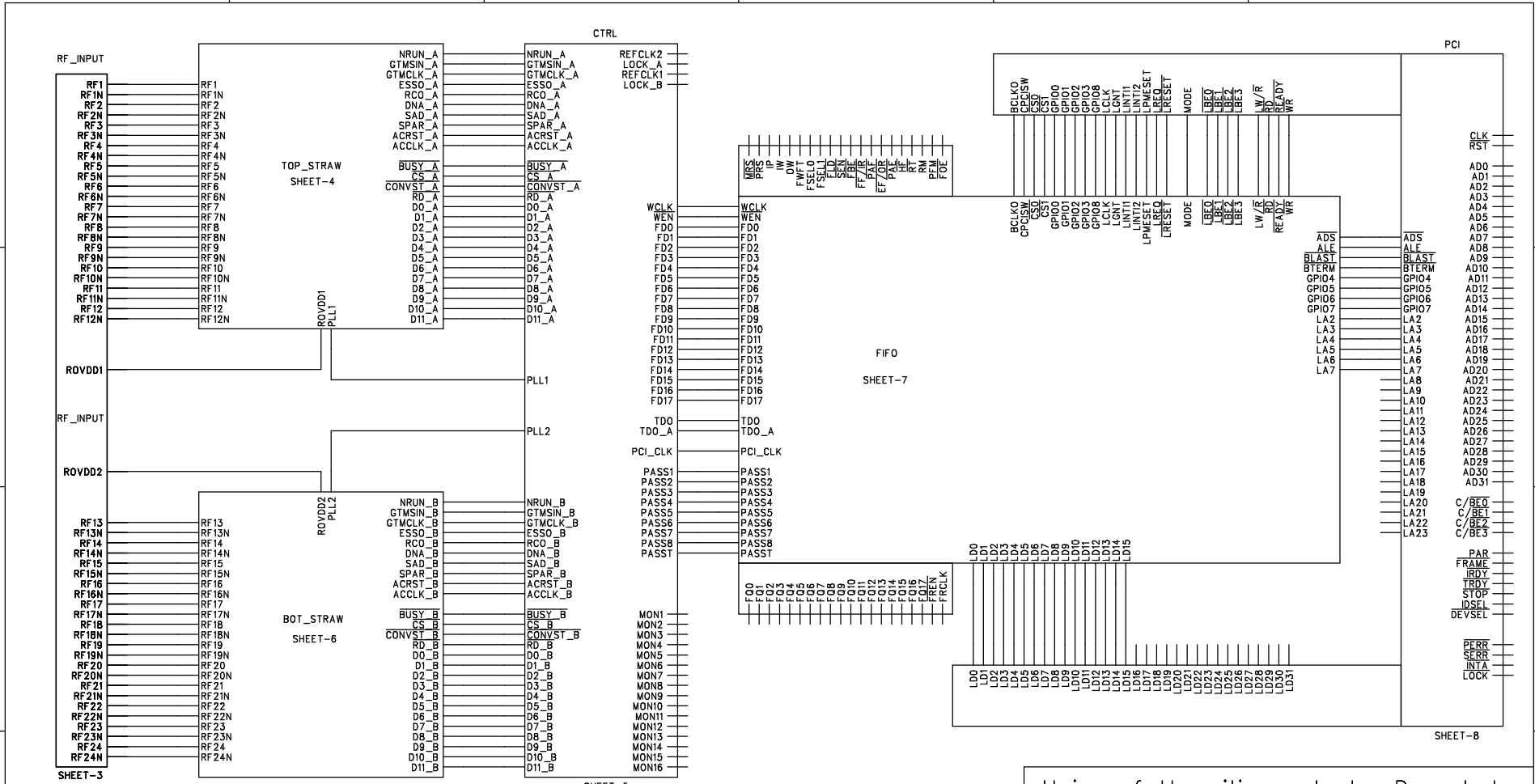
6 5 4 3 2 1

D

C

B

A



D

C

B

A

DALI Lay-up

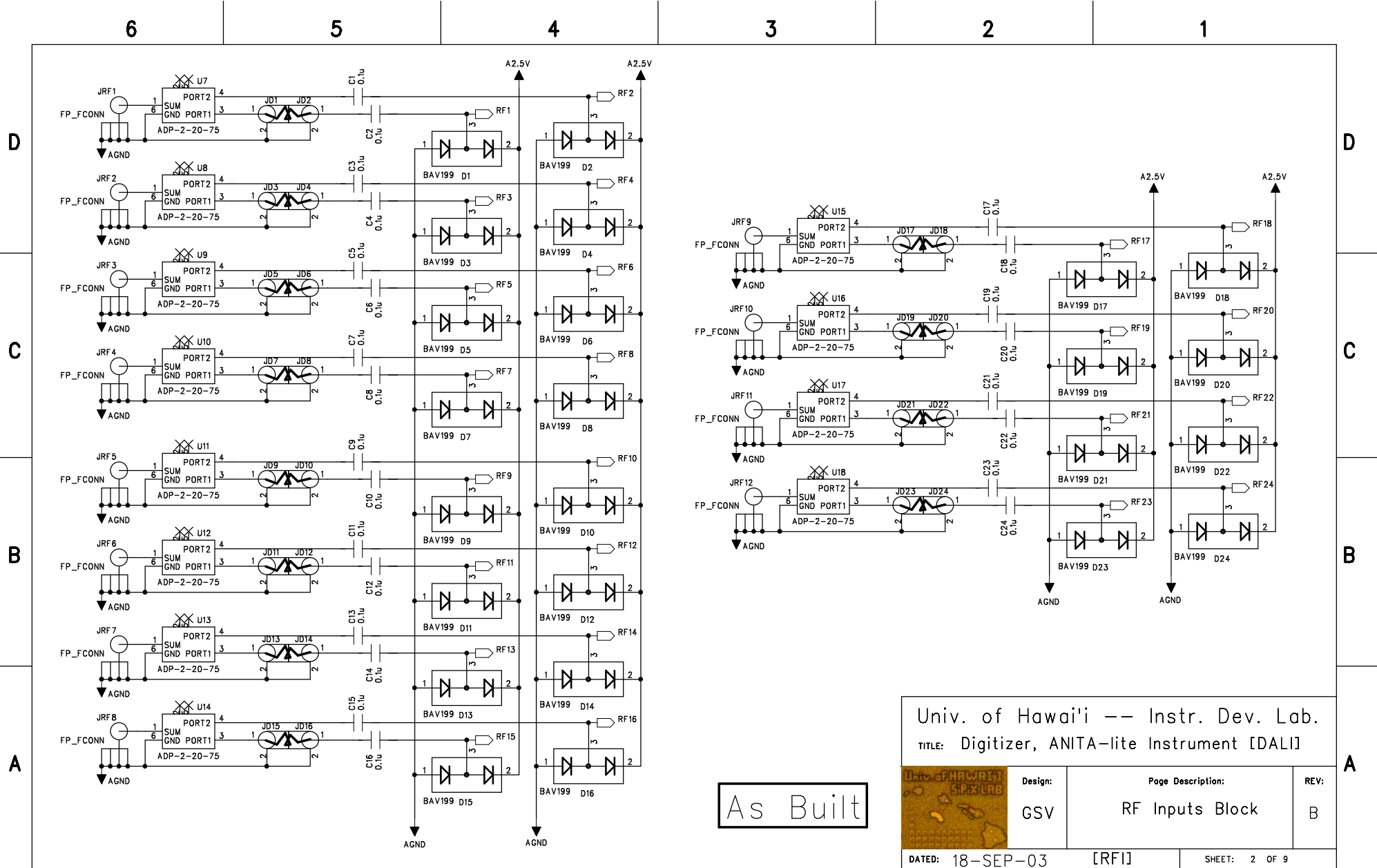
Target Impedance:
75 Ohms
Die = 10 mil
L1 RF trace = 10 mil

Layer 1		RF (75 Ohm) and general routing
Layer 2		Split plane: AGND, GND
Layer 3		Split plane: +5V, Aux. routing
Layer 4		Split plane: +/-12V, -5V, A2.5V, D2.5V
Layer 5		Split plane: D3.3V
Layer 6		General routing


As Built

Univ. of Hawai'i -- Instr. Dev. Lab.
TITLE: Digitizer, ANITA-lite Instrument [DALI]

	Design:	Page Description:		REV:
	GSV	Top Level sheet for DALI board		B



As Built

Univ. of Hawai'i -- Instr. Dev. Lab.			
TITLE: Digitizer, ANITA-lite Instrument [DALI]			
	Design: GSV	Page Description: RF Inputs Block	REV: B
DATED: 18-SEP-03 [RFI]		SHEET: 2 OF 9	

6

5

4

3

2

1

D

C

B

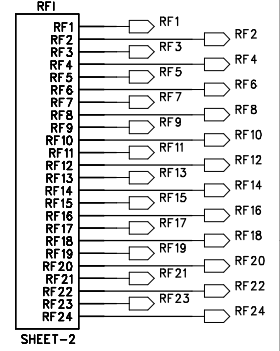
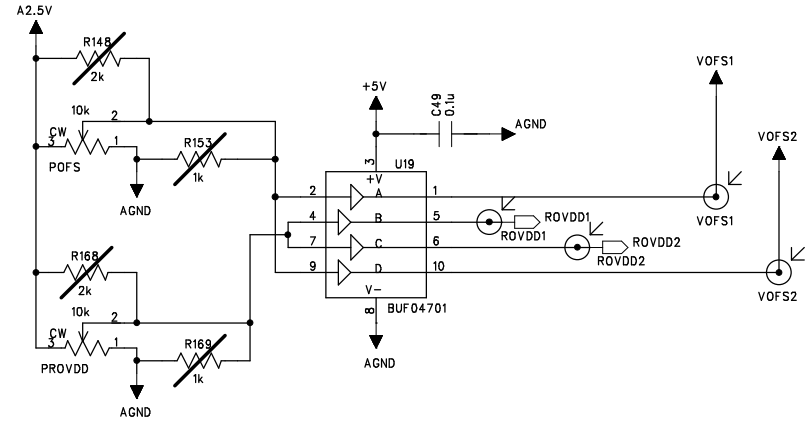
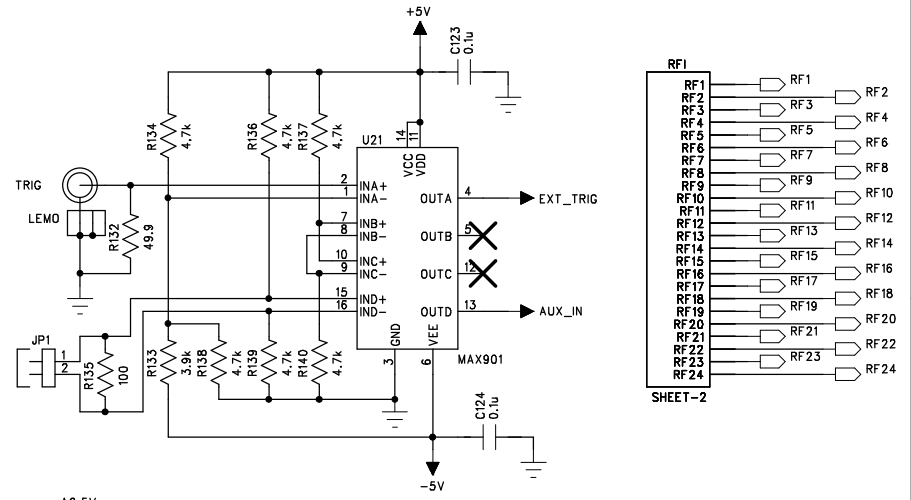
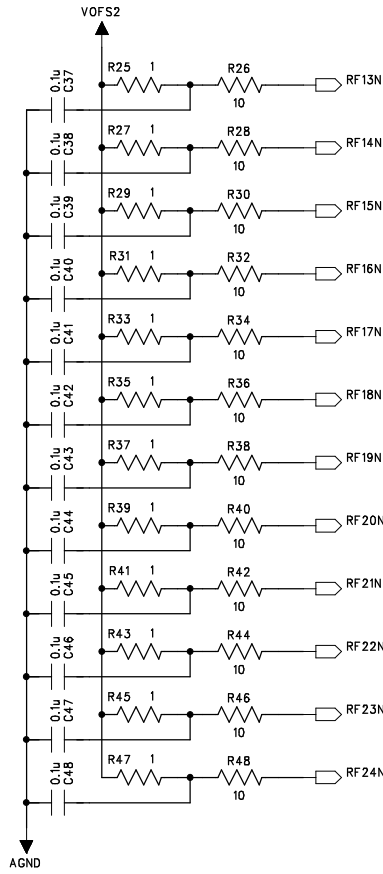
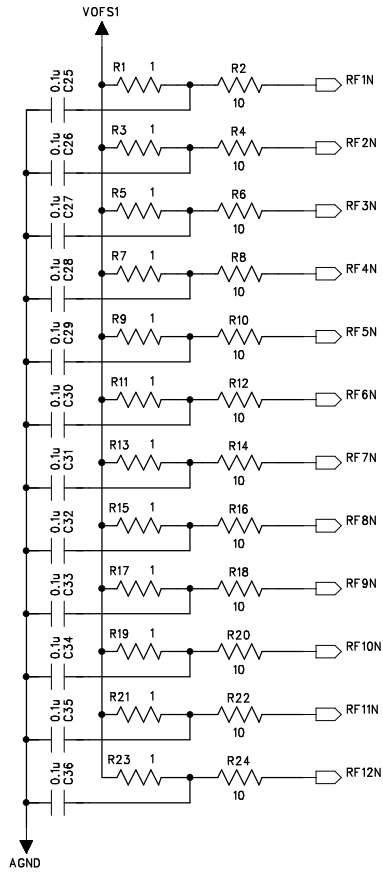
A

D

C

B

A



Univ. of Hawai'i -- Instr. Dev. Lab.
TITLE: Digitizer, ANITA-lite Instrument [DALI]

As Built



Design:
GSV

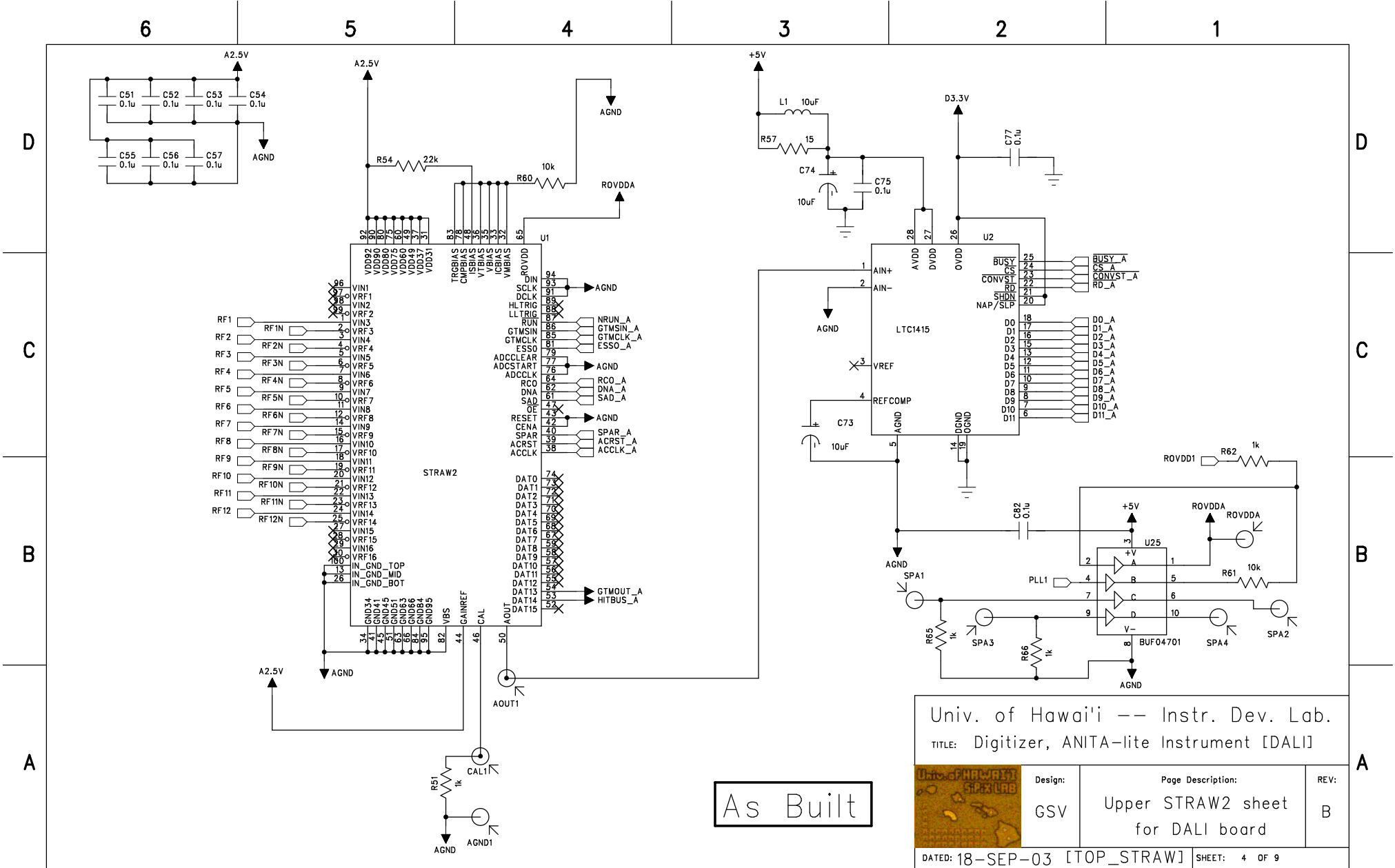
Page Description:
RF Inputs and Offset
Voltage Block

REV:
B

DATED: 18-SEP-03


[RF_INPUT]

SHEET: 3 OF 9

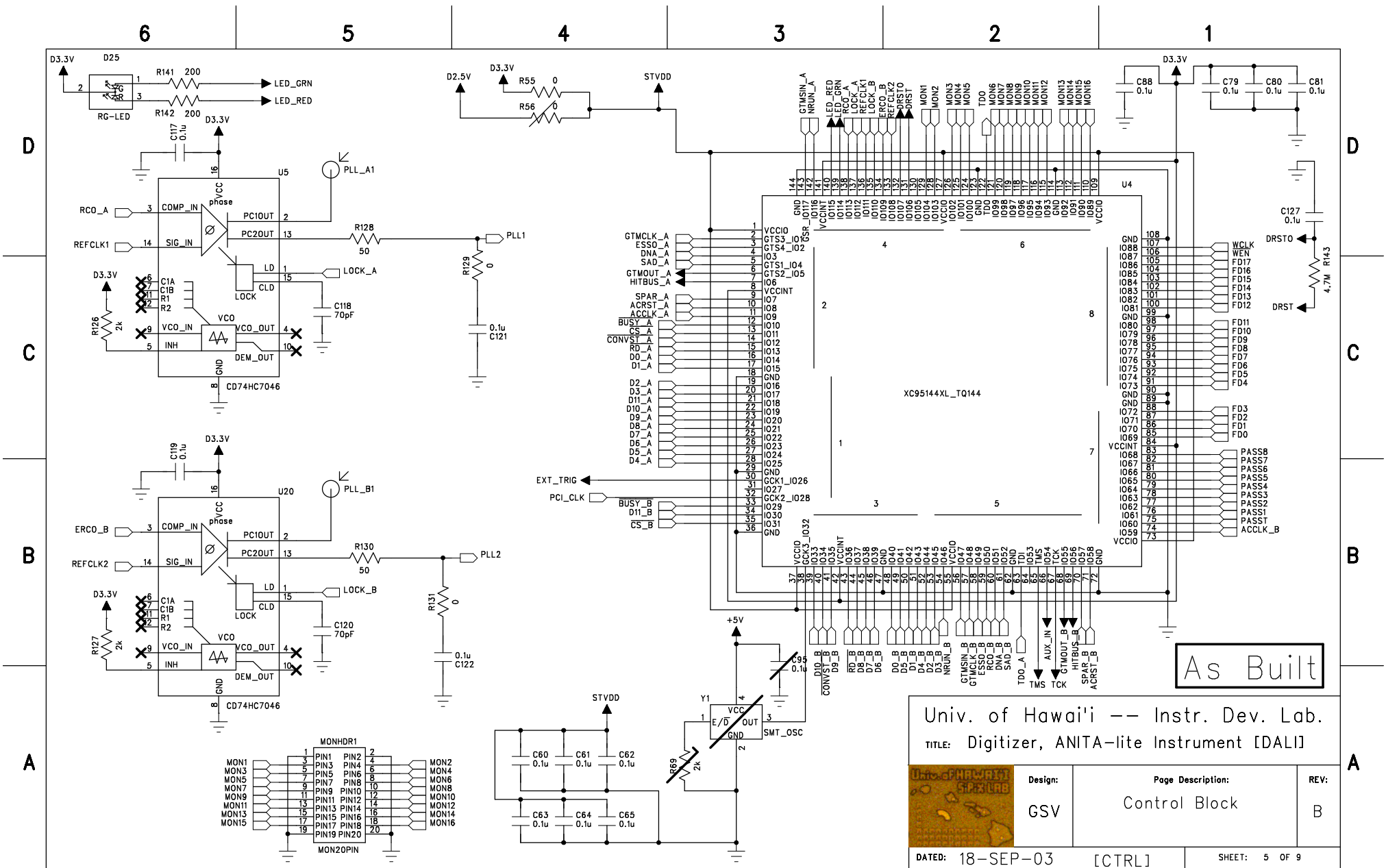


As Built

Univ. of Hawai'i -- Instr. Dev. Lab.
 TITLE: Digitizer, ANITA-lite Instrument [DALI]


	Design:	Page Description:	REV:
	GSV	Upper STRAW2 sheet for DALI board	B

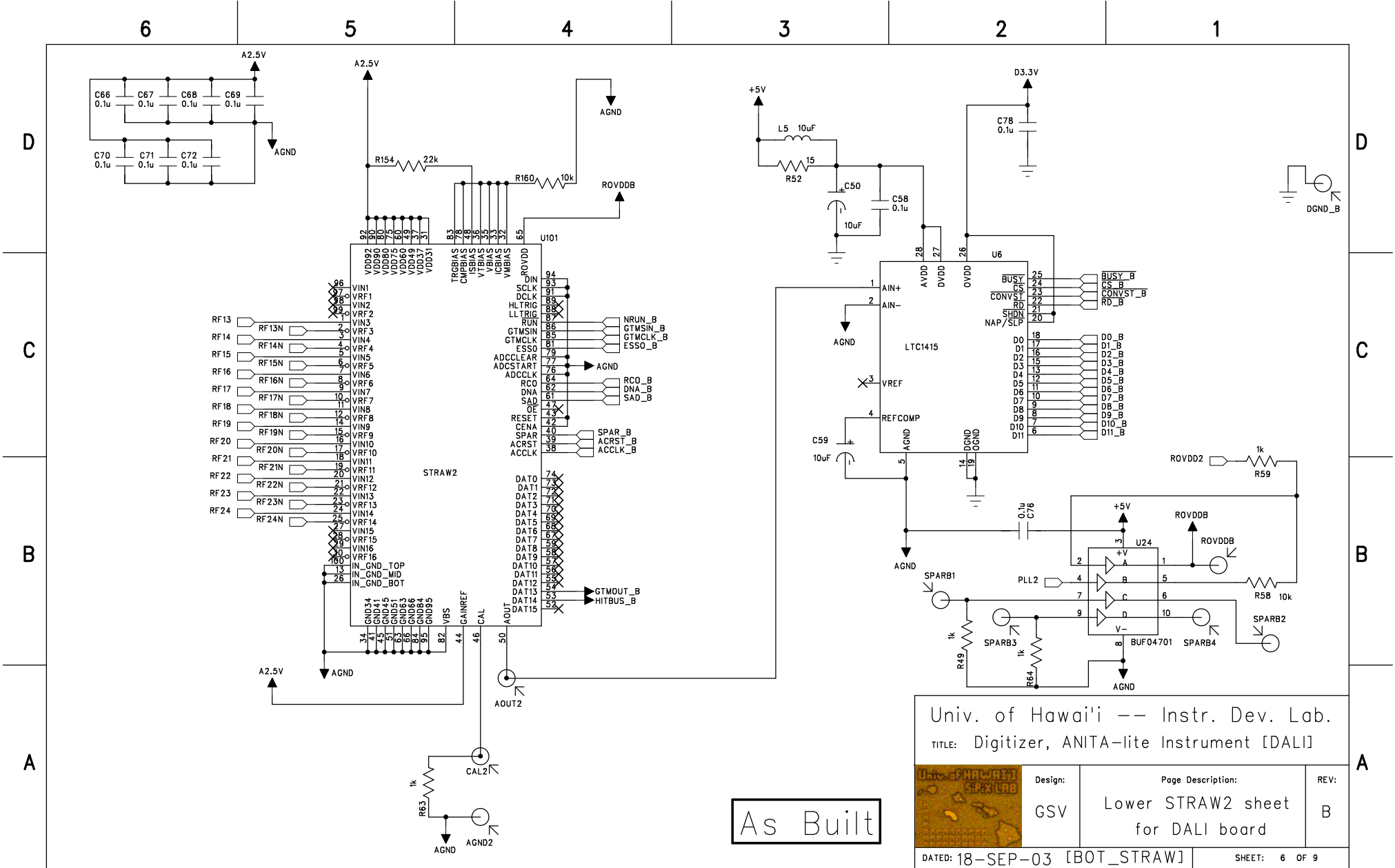
DATED: 18-SEP-03 [TOP_STRAW] SHEET: 4 OF 9



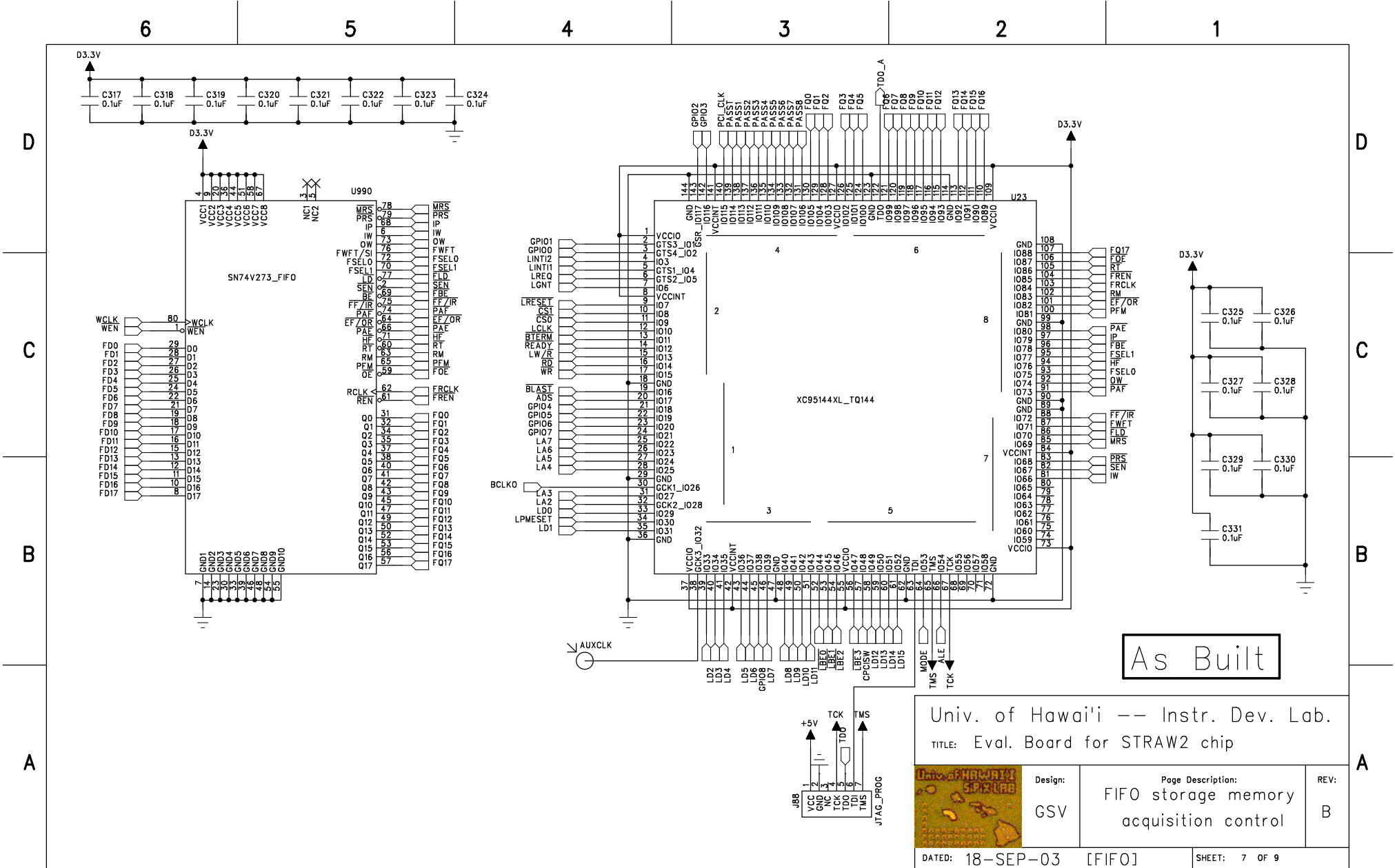
As Built

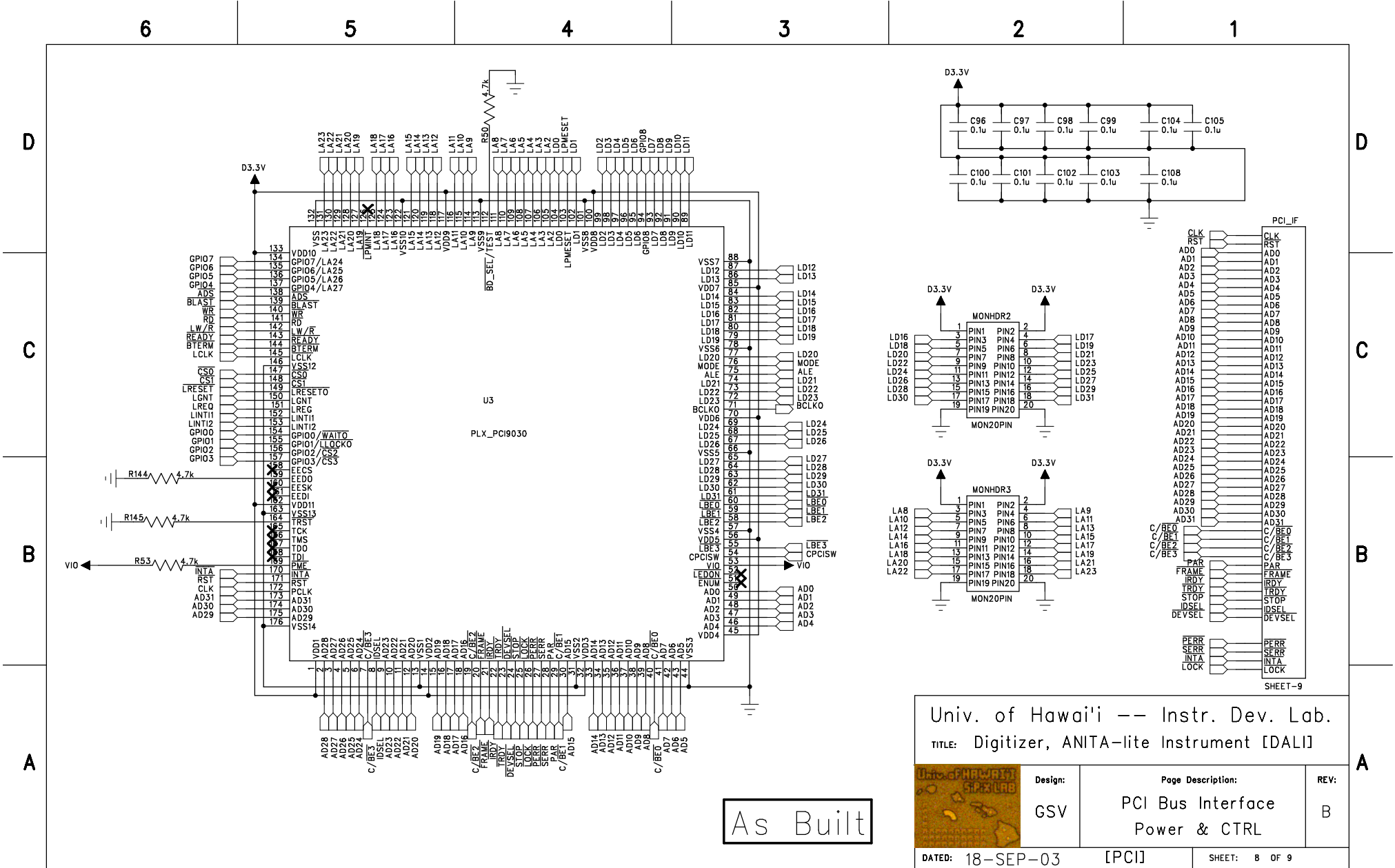
Univ. of Hawai'i -- Instr. Dev. Lab.
 TITLE: Digitizer, ANITA-lite Instrument [DALI]

	Design:	Page Description:	REV:
	GSV	Control Block	B



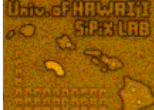
As Built





As Built

Univ. of Hawai'i -- Instr. Dev. Lab.
 TITLE: Digitizer, ANITA-lite Instrument [DALI]

	Design:	Page Description:	REV:
	GSV	PCI Bus Interface Power & CTRL	B
DATED: 18-SEP-03		[PCI]	SHEET: 8 OF 9

